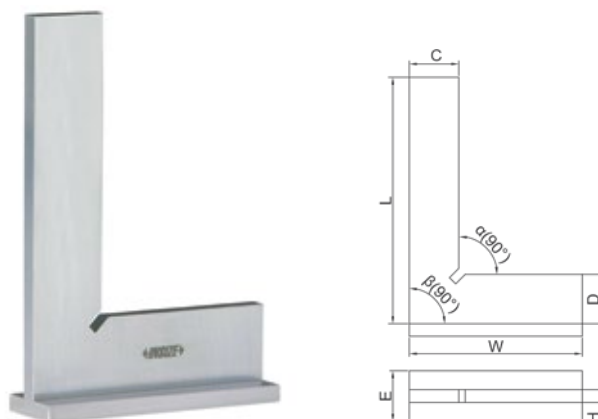




## Flat Edge Squares

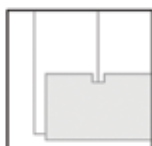
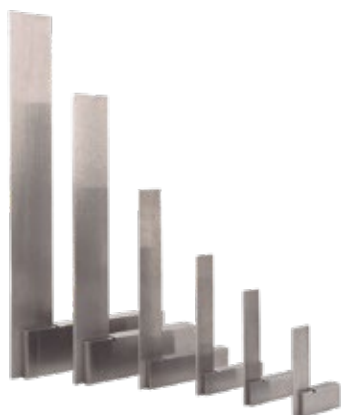
90° with Wide Base

- DIN875, grade 0
- Hardened stainless steel

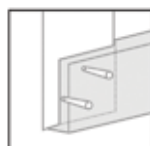


L x W Dimensions	$\alpha$ Inside Squareness	$\beta$ Outside Squareness	C	D	H	E	INSIZE No.	Code
100mm x 70mm	7 $\mu$ m	7 $\mu$ m	20mm	20mm	5mm	20mm	4793-100	283378
200mm x 130mm	8 $\mu$ m	9 $\mu$ m	30mm	30mm	7mm	30mm	4793-200	283380

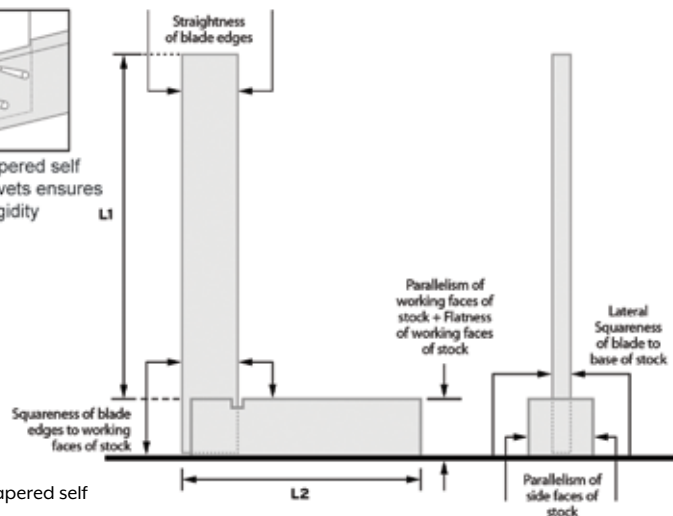
## Engineer's Precision Squares



Stock is grooved at inner corner for clearance for burr or dirt so that there is no interference with measuring accuracies



Use of tapered self locking rivets ensures perfect rigidity



- Internal and external squareness as per BS 939 Grade B
- For setting up and checking jobs where extreme accuracy is required
- Hardened spring steel blades are permanently fixed to the stock by means of tapered self locking rivets which ensure complete rigidity
- Both blade and stock are precisely ground to ensure straightness and parallelism
- Working edges of blades are lapped which further enhance accuracy
- Groove on inner corner of stock aids in the clearance of burrs and dirt

L1 Blade Length (Inch)	L2 Stock Length (Inch)	Code
2	2	840562
3	2-3/8	840563
4	3	840564
6	4	840566
8	5	840568
12	8-9/32	840572



### Sets

Contents	Code
One each of 2", 3", 4" and 6" squares	840573
One each of 2", 4" and 6" squares	840574

## Center Squares

- Made from tool quality alloy steel
- Blade hardened and tempered
- Designed for fast and accurate location of the center of the face of a round bar or disc within the sizes listed
- A useful tool for machinists and toolmakers



Maximum Work Diameter (Inch)	Code
1-1/2	840580
3	840581