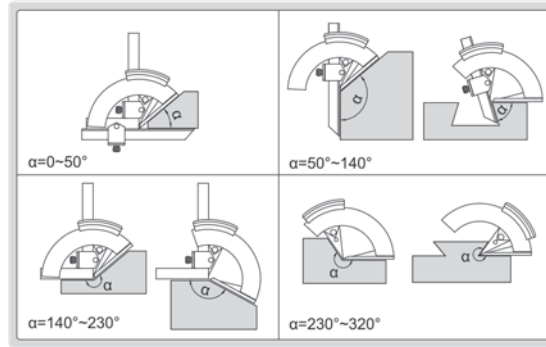
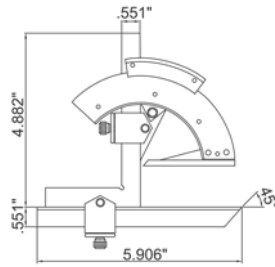


Protractor



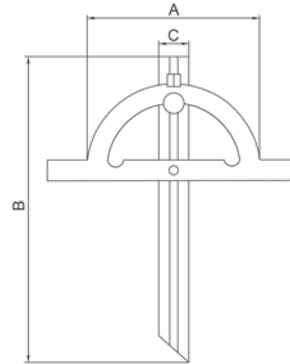
- Stainless steel
- Satin chrome plated scale

Range	Graduation	Accuracy	INSIZE No.	Code
0-320°	2'	±2'	2374-320	283340

Protractor



- Graduation: 1°
- Made of carbon steel
- Satin chrome plated
- With clamping screw
- Blade is moveable

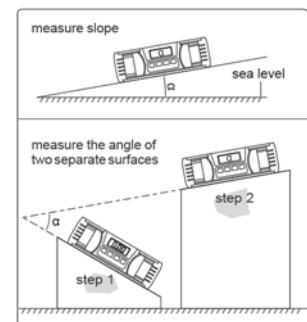
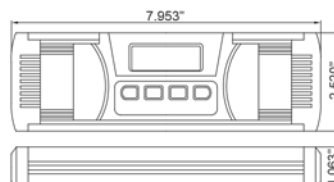


Size (A x B) (mm)	Range	Accuracy	C (mm)	INSIZE No.	Code
100 x 150	10-170°	±0.3°	18	4797-100	283334

Electronic Level and Slope Meter



- IP67 dust/waterproof
- Used as level and slope meter
- Aluminum frame, shock absorbing rubber end caps
- Magnetic bottom with V-groove for shafts
- The sea level is permanently set inside the chip, zero setting is not needed when batteries are replaced
- Buttons: ON/OFF, backlight/buzzer alarm, absolute and incremental measurement, unit (°, %, mm/m), HOLD (keep the reading)
- Three AAA batteries
- Automatic power off



Range	Resolution	Accuracy	INSIZE No.	Code
0 - 360°(90° x 4)	0.05° (=0.00625in/ft)	at 0°: ±0.05°; at others: ±0.1°	2175-360	877293