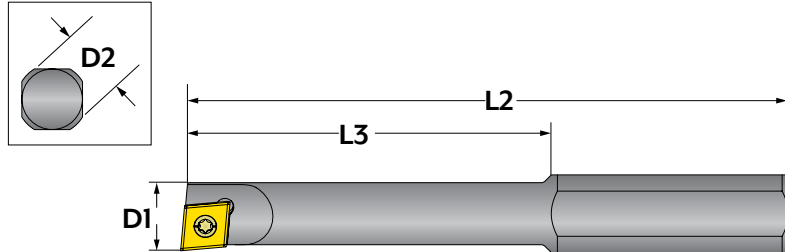


Steel Boring Bars



Criterion® CB-Style CB203D Indexable Boring Bars

- Minimum bore ranges from 1/4" to 1-1/4"
- Standard length for greater bore depths
- 4 parallel flats designed to place the cutting edge on the centerline
- Works equally as well in machining centers and turning centers
- Uses industry standard inserts

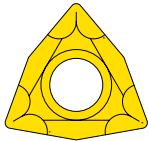


D1 Minimum Bore Ø (Inch)	L2 Overall Length (Inch)	L3 Length (Inch)	D2 Shank Ø (Inch)	Weight (lbs)	Applicable Insert	Code
0.250	1.062	2.500	* 0.500	0.080	WBGX0301_ _	250320
0.312	1.437	2.570	* 0.500	0.080	WBGX0301_ _	250321
0.375	1.750	3.062	* 0.500	0.100	WBGX0301_ _	250322
0.437	2.062	3.375	* 0.500	0.110	CC _ 215 _ _	250323
0.500	2.187	3.500	* 0.500	0.140	CC _ 215 _ _	250324
0.500	2.500	4.250	0.750	0.280	CC _ 215 _ _	250325
0.750	3.000	4.687	0.750	0.430	CC _ 325 _ _	250326
1.000	3.500	5.125	0.750	0.570	CC _ 325 _ _	250327
1.250	4.000	5.562	0.750	0.570	CC _ 325 _ _	250328

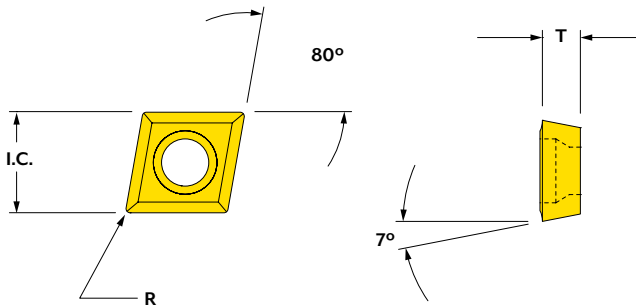
* Reducing sleeve required

Applicable Inserts

Coated Trigon
WBGX030101



Coated Diamond 80° CCMT0602 _ _ and CCMT 0903 _ _



Insert	I.C. (Inch)	R Radius (Inch)	T Thickness (Inch)	Code
WBGX030101	-	0.004	-	250253
CCMT060202	0.250	0.008	0.094	250254
CCMT060204	0.250	0.016	0.094	250255
CCMT060208	0.250	0.031	0.094	250256
CCMT090302	0.375	0.008	0.156	250257
CCMT090304	0.375	0.016	0.156	250258
CCMT090308	0.375	0.031	0.156	250259



Indexable Insert Boring Bar Sets



Size (Inch)	No. of Pieces	Code
3/4	4	250351