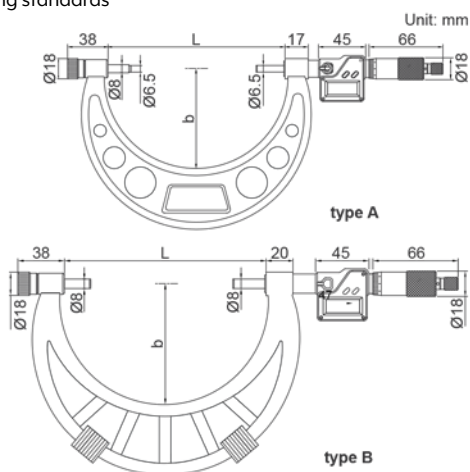


Electronic Outside Micrometer



With Interchangeable Anvils

- Resolution 0.001mm/0.0001" (resolution of 3506-100A and 3506-150A is 0.001mm/0.00005")
- IP65 dust/waterproof
- Button function: on/off, set, mm/inch, data transmit
- Data output
- Automatic power off
- Ratchet stop
- Carbide measuring faces
- Supplied with setting standards



281197



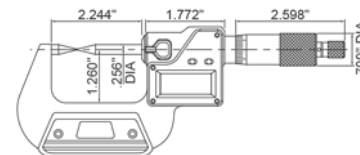
281203

Range (mm/Inch)	Type	Accuracy	L (mm)	b (mm)	Setting Standard	INSIZE No.	Code
0-100/0-4	A	±5µm	105	57	25, 50, 75	3506-150A	281197
150-300/6-12	A	±8µm	305	165	150, 175, 200, 225, 250, 275	3506-300A	281201
300-400/12-16	B	±9µm	405	224	325, 375	3506-400A	281203

Electronic Point Micrometer



- Measure the web thickness of drills, small grooves and keyways
- Resolution .00005"/0.001mm IP65 dust/waterproof
- Button function: on/off, set,
- inch/mm, ABS/INC
- Data output
- Automatic power off
- Ratchet stop, carbide tips



Range (Inch/mm)	Accuracy	INSIZE No.	Code
0-1/0-25	±0.00015	3530-25A	281349
0-1/0-25	±0.00015	3530-25E	877310
0-1/0-25	±0.00015	3530-25BE	877309