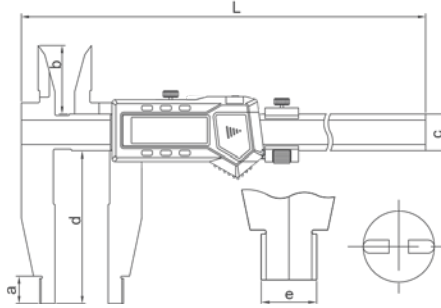
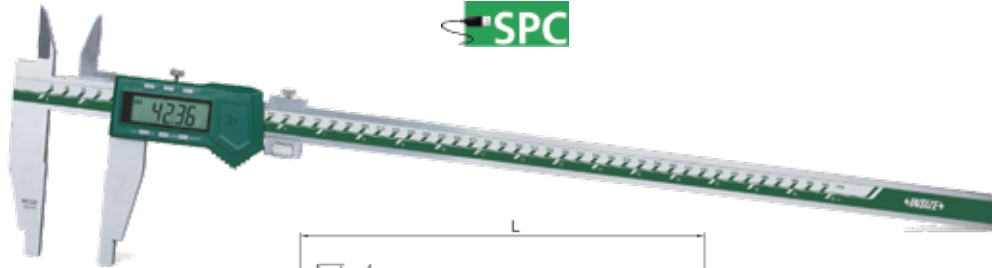


## Long Range Electronic Caliper

20 & 40 Inch/500 & 1000mm



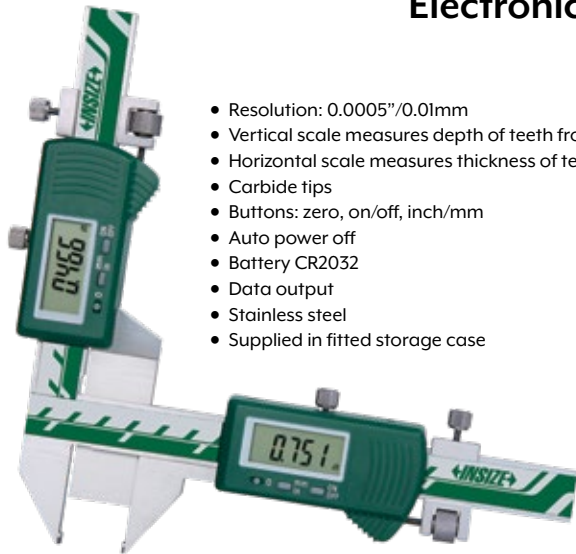
- Resolution: 0.01mm/0.0005"
- Button function: on/off, zero, mm/inch, ABS, data preset
- Battery CR2032
- Data output
- Stainless steel
- Supplied in fitted storage case

OPTIONAL ACCESSORY: SPC cable

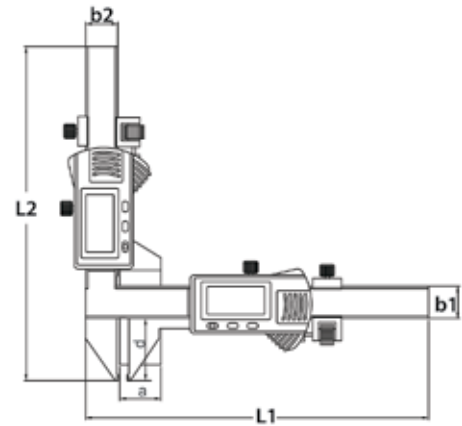
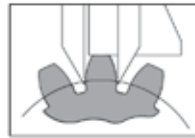
Range (mm/Inch)	Accuracy (mm)	L (mm)	a (mm)	b (mm)	c (mm)	d (mm)	e (mm)	INSIZE No.	Code
0-300/0-12	±0.05	420	18	45	24	100	20	1136-301	280112
0-500/0-20	±0.05	675	18	45	24	100	20	1136-501	280117
0-1000/0-40	±0.08	1220	24	60	31	150	20	1136-1002	816022

Sizes available up to 2000mm/80"

## Electronic Gear Tooth Calipers



- Resolution: 0.0005"/0.01mm
- Vertical scale measures depth of teeth from the top to the pitch line
- Horizontal scale measures thickness of teeth in the pitch line
- Carbide tips
- Buttons: zero, on/off, inch/mm
- Auto power off
- Battery CR2032
- Data output
- Stainless steel
- Supplied in fitted storage case



Range	Accuracy (Inch)	L1 (Inch)	L2 (Inch)	a (Inch)	b1 (Inch)	b2 (Inch)	d (Inch)	INSIZE No.	Code
PI-P24	±0.0015	6.693	6.516	0.827	0.630	0.630	1.201	1181-M25A	280658
PI/2-P5	±0.0015	8.661	7.480	1.988	0.630	0.630	2.165	1181-M50A	280659