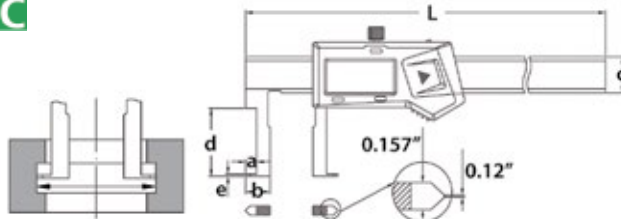


Electronic Inside Groove Caliper



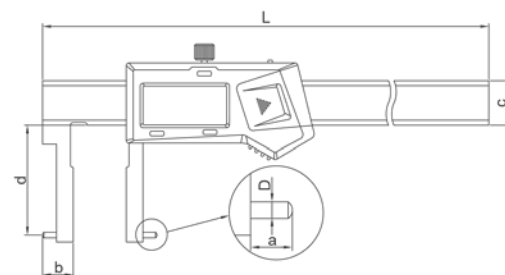
- Measures groove diameter
- Resolution: 0.0005"/0.01mm
- Buttons: on/off, set, inch/mm, preset (+,-)
- Auto power off - move unit to turn on
- Battery CR2032
- Data output
- Stainless steel
- Supplied in fitted storage case

OPTIONAL ACCESSORY: SPC cable, Depth stops

Range (Inch/mm)	Accuracy	L	a	b	c	d	e	INSIZE No.	Code
1-6/25.4-150	±0.0015"	9.843"	0.197"	0.5"	0.63"	1.181"	0.039"	1120-150AE	280523
0.98-8/25-200	±0.04mm	310mm	5mm	12.5mm	16mm	40mm	1mm	1120-200A	280525
1.18-12/30-300	±0.05mm	410mm	5mm	15mm	16mm	50mm	1.5mm	1120-300A	280527

Sizes available up to 12"/300mm

Electronic Inside Groove Caliper

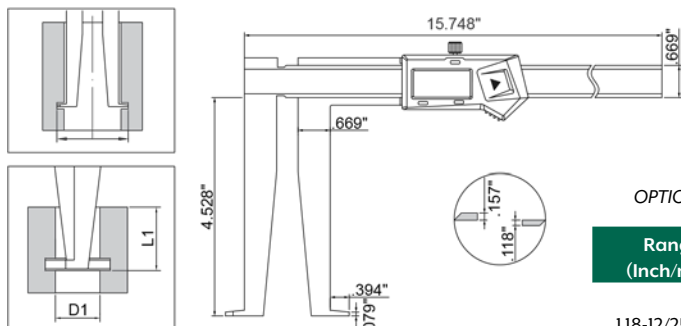
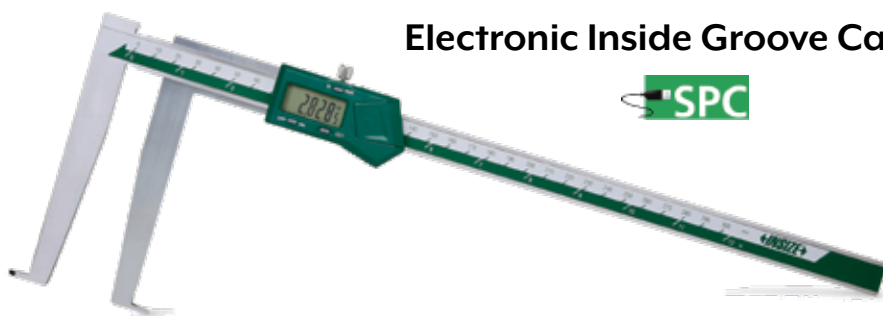


- Measures groove diameter
- Resolution: 0.0005"/0.01mm
- Pin dimensions: 0.079" diameter x 0.197" deep
- Buttons: on/off, set, inch/mm, preset (+,-)
- Auto power off - move unit to turn on
- Battery CR2032
- Data output
- Stainless steel
- Supplied in fitted storage case

OPTIONAL ACCESSORY: SPC cable, Depth stops

Range (Inch/mm)	Accuracy	L	a	b	c	d	D	INSIZE No.	Code
0.9-6/24-150	±0.0015"	9.843"	0.197"	0.4724"	0.63"	1.181"	0.079"	1121-150A	280541
0.98-8/25-200	±0.04mm	310mm	5mm	12.5mm	16mm	37mm	2mm	1121-200A	280544
1.97-12/50-300	±0.07mm	410mm	8mm	25mm	16mm	77mm	3mm	1121-300IA	280548

Electronic Inside Groove Caliper



- Measures diameter of grooves inside bores
- Resolution: 0.0005"/0.01mm
- Buttons: on/off, set, inch/mm, preset (+,-)
- Auto power off - move unit to turn on
- Battery CR2032
- Data output
- Stainless steel
- Supplied in fitted storage case

OPTIONAL ACCESSORY: SPC cable, Depth stops

Range (Inch/mm)	Accuracy (Inch)	ØD1 (Inch)	L1 (Inch)	INSIZE No.	Code
1.18-12/25-300	±0.0020	0.984	<1.969	1178-300	816633
		1.024	<2.362		
		1.063-12	<4.331		