

Tool Holder Bushings

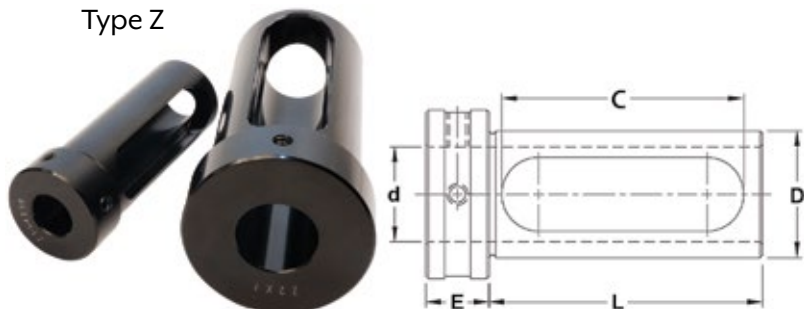
CNC Bushings – Black Oxide Finish – Types C, CV, B, DD, J & Z (continued)

Type J (continued)

D Outside Diameter (Inch)	d Inside Diameter (Inch)	L Length Under Head (Inch)	A (Inch)	B (Inch)	F Hole Diameter (Inch)	Code	D Outside Diameter (Inch)	d Inside Diameter (Inch)	L Length Under Head (Inch)	A (Inch)	B (Inch)	F Hole Diameter (Inch)	Code
2	5/8	3-1/2	3/4	1-1/2	1	310491	2-1/2	1/2	4	7/8	1-3/4	1-1/4	310769
2	3/4	3-1/2	3/4	1-1/2	1	310492	2-1/2	5/8	4	7/8	1-3/4	1-1/4	310770
2	7/8	3-1/2	3/4	1-1/2	1	310768	2-1/2	3/4	4	7/8	1-3/4	1-1/4	310771
2	1	3-1/2	3/4	1-1/2	1	310494	2-1/2	7/8	4	7/8	1-3/4	1-1/4	310772
2	1-1/4	3-1/2	3/4	1-1/2	1	310496	2-1/2	1	4	7/8	1-3/4	1-1/4	310773
2	1-1/2	3-1/2	3/4	1-1/2	1	310498	2-1/2	1-1/4	4	7/8	1-3/4	1-1/4	310774
2	1-3/4	3-1/2	3/4	1-1/2	1	310500	2-1/2	1-1/2	4	7/8	1-3/4	1-1/4	310775
8 Piece Set – 1/2" to 1-3/4"						300882	2-1/2	1-3/4	4	7/8	1-3/4	1-1/4	310776
							2-1/2	2	4	7/8	1-3/4	1-1/4	310777
							2-1/2	2-1/4	4	7/8	1-3/4	1-1/4	310778
							10 Piece Set – 1/2" to 2-1/4"						300883

Type Z

- Z bushings have a long slot and two set screws in the bushing head
- Provides improved rigidity and reduced chatter



D Outside Diameter (Inch)	d Inside Diameter (Inch)	L Length Under Head (Inch)	C Slot Length (Inch)	E (Inch)	Code	D Outside Diameter (Inch)	d Inside Diameter (Inch)	L Length Under Head (Inch)	C Slot Length (Inch)	E (Inch)	Code
1-1/4	3/8	3	2-5/8	5/8	310808	7 Piece Set – 3/8" to 1-1/4"					300888
1-1/4	1/2	3	2-5/8	5/8	310809	1-3/4	1/2	3-1/4	3-1/8	3/4	310821
1-1/4	5/8	3	2-5/8	5/8	310810	1-3/4	5/8	3-1/4	3-1/8	3/4	310822
1-1/4	3/4	3	2-5/8	5/8	310811	1-3/4	3/4	3-1/4	3-1/8	3/4	310823
1-1/4	7/8	3	2-5/8	5/8	310812	1-3/4	1	3-1/4	3-1/8	3/4	310824
1-1/4	1	3	2-5/8	5/8	310813	1-3/4	1-1/4	3-1/4	3-1/8	3/4	310825
6 Piece Set – 3/8" to 1"					300887	5 Piece Set – 1/2" to 1-1/4"					300889
1-1/2	3/8	3-1/4	2-7/8	3/4	310814	2	1/2	3-3/4	3-1/2	3/4	310826
1-1/2	1/2	3-1/4	2-7/8	3/4	310815	2	3/4	3-3/4	3-1/2	3/4	310827
1-1/2	5/8	3-1/4	2-7/8	3/4	310816	2	7/8	3-3/4	3-1/2	3/4	310828
1-1/2	3/4	3-1/4	2-7/8	3/4	310817	2	1	3-3/4	3-1/2	3/4	310829
1-1/2	7/8	3-1/4	2-7/8	3/4	310818	2	1-1/4	3-3/4	3-1/2	3/4	310830
1-1/2	1	3-1/4	2-7/8	3/4	310819	2	1-1/2	3-3/4	3-1/2	3/4	310831
1-1/2	1-1/4	3-1/4	2-7/8	3/4	310820	6 Piece Set – 1/2" to 1-1/2"					300890