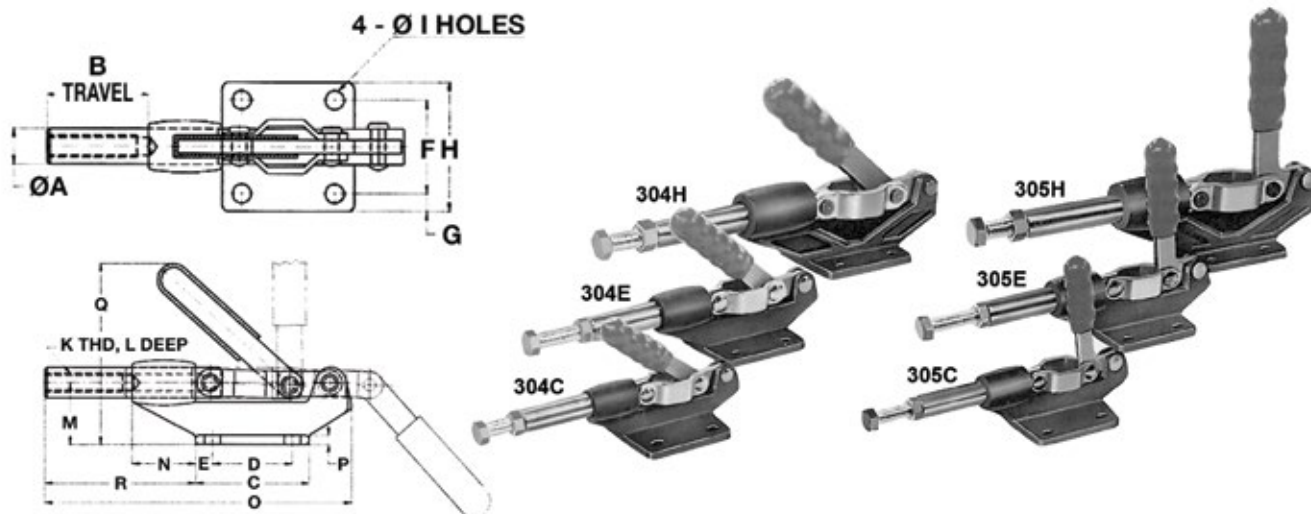


Toggle Clamps & Accessories

(continued)

Push/Pull Toggle Clamps



- Available for light, medium, or heavy duty operations
- Supplied with a ductile iron base which is precision machined for flatness
- Close tolerances between the base and plunger allow clamps to be used for pin location gages as well as clamping devices
- Plunger locks in extended or retracted position
- Light and medium duty clamps are supplied with heavy duty rivets
- Heavy duty clamps are supplied with bushings and removable hardened ground pins
- Vinyl hand grip (spindles not included)

Model	A mm Inch	B mm Inch	C mm Inch	D mm Inch	E mm Inch	F mm Inch	G mm Inch	H mm Inch	I mm Inch	J mm Inch	K Thread	L mm Inch	M mm Inch	N mm Inch	O mm Inch	P mm Inch	Q mm Inch	R mm Inch
304C	12.7 1/2	30.2 1-3/16	52.4 2-1/16	35 1-3/8	8.7 11/32	41.4 1-5/8	8 5/16	57.2 2-1/4	6.7 17/64	6.4 1/4	5/16 - 18	30.2 1-3/16	25.4 1	20.6 13/16	125.4 4-15/16	4.8 3/16	74.6 2-15/16	52.4 2-1/16
305C	12.7 1/2	30.2 1-3/16	52.4 2-1/16	35 1-3/8	8.7 11/32	41.4 1-5/8	8 5/16	57.2 2-1/4	6.7 17/64	6.4 1/4	5/16 - 18	30.2 1-3/16	25.4 1	20.6 13/16	125.4 4-15/16	4.8 3/16	90.5 3-9/16	52.4 2-1/16
304E	16 5/8	41.4 1-5/8	58.8 2-5/16	41.4 1-5/8	8.7 11/32	41.4 1-5/8	8 5/16	57.2 2-1/4	8.3 21/64	8 5/16	3/8 - 16	39.7 1-9/16	31.8 1-1/4	31.8 1-1/4	158.8 6-1/4	4.8 3/16	98.4 3-7/8	81 3-3/16
305E	16 5/8	41.4 1-5/8	58.8 2-5/16	41.4 1-5/8	8.7 11/32	41.4 1-5/8	8 5/16	57.2 2-1/4	8.3 21/64	8 5/16	3/8 - 16	39.7 1-9/16	31.8 1-1/4	31.8 1-1/4	158.8 6-1/4	4.8 3/16	122.2 4-13/16	81 3-3/16
304H	19 3/4	60.4 2-3/8	73.2 2-7/8	50.8 2	11.1 7/16	50.8 2	10.3 13/32	71.4 2-11/16	8.3 21/64	8 5/16	1/2 - 13	49.2 1-15/16	50.8 2	50.8 2	238.2 9-3/8	6.4 1/4	133.4 5-1/4	120.8 4-3/4
305H	19 3/4	60.4 2-3/8	73.2 2-7/8	50.8 2	11.1 7/16	50.8 2	10.3 13/32	71.4 2-11/16	8.3 21/64	8 5/16	1/2 - 13	49.2 1-15/16	50.8 2	50.8 2	238.2 9-3/8	6.4 1/4	171.6 6-3/4	120.5 4-3/4

Model	Holding Capacity kg (lbs)	Weight g (oz)	Handle Angle	Code
304C	227 (500)	340 (12)	45°	412151
305C	227 (500)	340 (12)	90°	412152
304E	386 (850)	580 (20.5)	45°	412153
305E	386 (850)	580 (20.5)	90°	412154
304H	680 (1500)	1480 (52.2)	45°	412155
305H	680 (1500)	1480 (52.2)	90°	412156