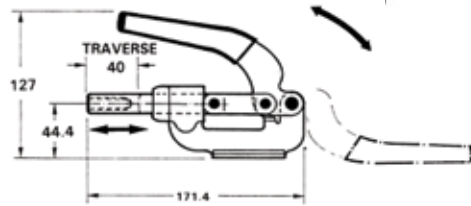
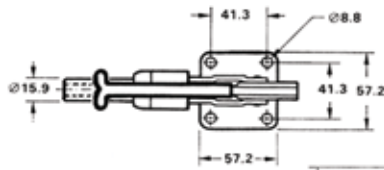


## Toggle Clamps & Accessories

(continued)

### Push/Pull Toggle Clamp – Flanged

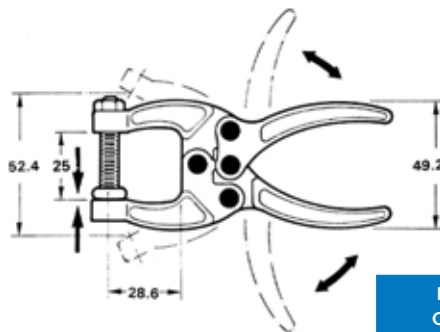
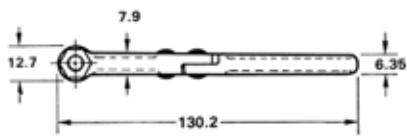
- Heavy duty
- Plunger locks in extended or retracted position
- Accepts 1/2" - 13 spindles (spindle not included)
- Vinyl hand grip



Holding Capacity Maximum kgs (lbs)	Weight g (oz)	Plunger Travel mm (Inch)	Code
364 (800)	800 (28.2)	41.4 (1-5/8)	412150

### Toggle Pliers

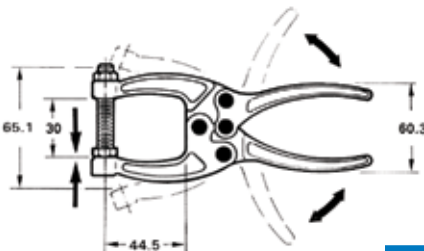
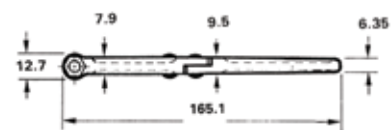
- Improved handle design for operator comfort
- Hex head spindle assembly



Holding Capacity Maximum kgs (lbs)	Weight g (oz)	Code
90 (200)	185 (6.5)	412165

### Toggle Pliers

- Improved handle design for operator comfort
- Hex head spindle assembly



Holding Capacity Maximum kgs (lbs)	Weight g (oz)	Code
159 (350)	290 (10.2)	412166