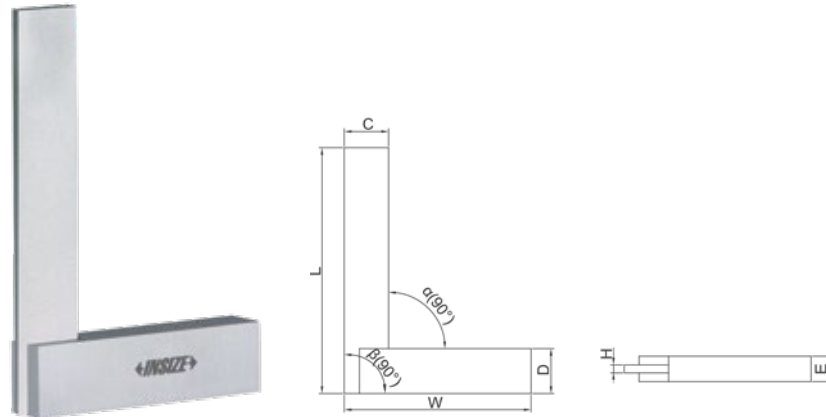


Flat Edge Squares



90° with Wide Base

- DIN875, grade 00
- Hardened stainless steel



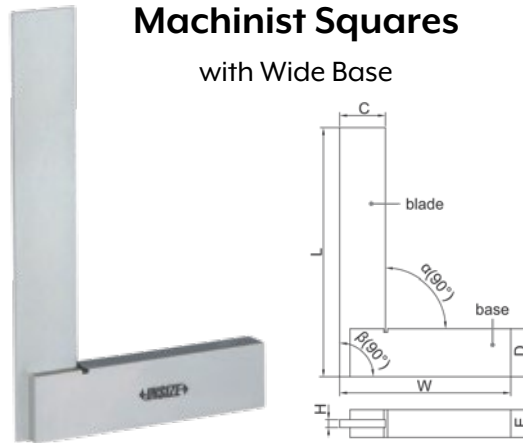
L x W Dimensions	α Inside Squareness	β Outside Squareness	C	D	H	E	INSIZE No.	Code
50mm x 40mm	6 μ m	6 μ m	12mm	12mm	3mm	10mm	4792-50	283383
75mm x 50mm	6 μ m	7 μ m	14mm	14mm	3mm	10mm	4792-75	283384
5.3" x 3.9"	315 μ m	315 μ m	0.866"	0.866"	0.157"	0.472"	4792-150	283391

Machinist Squares



with Wide Base

- Economic model
- DIN875, grade 2
- Carbon steel, no anti-rust treatment, not hardened



L x W Dimensions	α Inside Squareness	β Outside Squareness	C	D	H	E	INSIZE No.	Code
2x1.6"	0.95mil	0.98mil	0.63"	0.472"	0.118"	0.354"	4707-50	283490
3x2"	1.02mil	1.1mil	0.63"	0.63"	0.118"	0.354"	4707-75	283491
3.9x2.8"	1.1mil	1.18mil	0.748"	0.748"	0.118"	0.472"	4707-100	283492
6x4"	1.3mil	1.38mil	0.984"	0.984"	0.118"	0.63"	4707-150	283493
8x5"	1.46mil	1.58mil	1.181"	1.23"	0.157"	0.63"	4707-200	283494
10x6"	1.65mil	1.77mil	1.181"	1.26"	0.157"	0.748"	4707-250	283495
12x8"	1.85mil	1.97mil	1.26"	1.26"	0.157"	0.748"	4707-300	283496
16x10"	2.21mil	2.36mil	1.496"	1.496"	0.197"	0.866"	4707-400	283497
20x12"	2.56mil	2.76mil	1.772"	1.969"	0.236"	0.984"	4707-500	283498
24x14"	2.95mil	3.15mil	1.969"	1.969"	0.236"	1.181"	4707-600	877026
750x400mm	90 μ m	95 μ m	55mm	55mm	6mm	50mm	4707-750	877360
900x500mm	103 μ m	110 μ m	65mm	75mm	9mm	50mm	4707-900	877361