

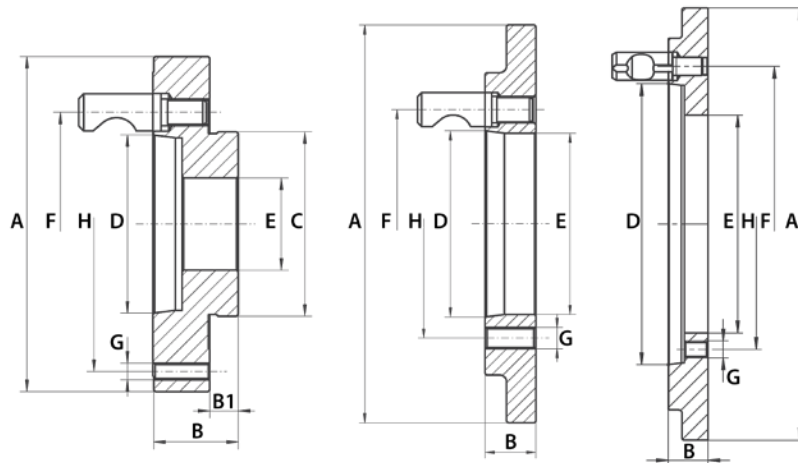
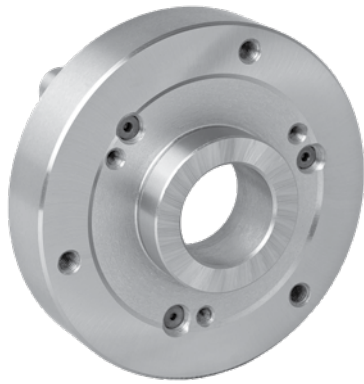
Precision Lathe Chucks

Steel – 2-Piece Jaws – 3-Jaw & 6-Jaw Set Tru (continued)



Back Plates for Set Tru Chucks (continued)

Type D – Series 8245



| Chuck Dia. (Inch) | Taper Size | Sketch Ref. | A (Inch) | B (Inch) | B1 (Inch) | C (Inch) | D (Inch) | E (Inch) | F (Inch) | G | H (Inch) | Weight (lbs) | Code |
|-------------------|------------|-------------|----------|----------|-----------|----------|----------|----------|----------|-----|----------|--------------|--------|
| 6 | 3 | I | 6.30 | 1.81 | 0.63 | 3.39 | 2.13 | 1.65 | 2.75 | M10 | 5.51 | 10.80 | 355127 |
| 6 | 4 | I | 6.30 | 1.81 | 0.63 | 3.39 | 2.50 | 1.65 | 3.25 | M10 | 5.51 | 9.92 | 355128 |
| 6 | 5 | I | 6.30 | 1.81 | 0.63 | 3.39 | 3.25 | 1.65 | 4.13 | M10 | 5.51 | 9.92 | 355129 |
| 8 | 3 | I | 7.87 | 1.30 | 0.67 | 4.33 | 2.13 | 2.02 | 2.78 | M10 | 6.93 | 10.36 | 355130 |
| 8 | 4 | I | 7.87 | 1.30 | 0.67 | 4.33 | 2.50 | 2.17 | 3.25 | M10 | 6.93 | 10.36 | 355131 |
| 8 | 5 | I | 7.87 | 1.85 | 0.67 | 4.33 | 3.25 | 2.17 | 4.13 | M10 | 6.93 | 15.87 | 355132 |
| 8 | 6 | I | 7.87 | 2.01 | 0.67 | 4.33 | 4.19 | 2.17 | 5.25 | M10 | 6.93 | 17.64 | 355133 |
| 10 | 5 | I | 9.84 | 1.50 | 0.75 | 5.71 | 3.25 | 2.99 | 4.13 | M12 | 8.82 | 17.64 | 355134 |
| 10 | 6 | I | 9.84 | 2.09 | 0.75 | 5.71 | 4.19 | 2.99 | 5.25 | M12 | 8.82 | 28.44 | 355135 |
| 10 | 8 | I | 9.84 | 2.36 | 0.75 | 5.71 | 5.50 | 2.99 | 6.75 | M12 | 8.82 | 32.41 | 355136 |
| 12 | 6 | I | 12.40 | 1.50 | 0.75 | 7.09 | 4.19 | 4.06 | 5.25 | M16 | 11.26 | 28.44 | 355137 |
| 12 | 8 | I | 12.40 | 2.24 | 0.75 | 7.09 | 5.50 | 4.06 | 6.75 | M16 | 11.26 | 47.84 | 355138 |
| 12 | 11 | I | 12.40 | 2.52 | 0.75 | 7.09 | 7.75 | 4.06 | 9.25 | M16 | 11.25 | 52.91 | 355139 |
| 16 | 8 | II | 11.75 | 1.50 | - | 8.94 | 5.50 | 5.36 | 6.75 | M16 | 6.75 | 26.23 | 355140 |
| 16 | 11 | II | 11.75 | 1.89 | - | 11.69 | 7.75 | 5.35 | 9.25 | M16 | 6.75 | 38.58 | 355141 |
| 20 | 8 | II | 16.02 | 1.50 | - | 16.02 | 5.50 | 5.35 | 6.75 | M20 | 9.25 | 73.85 | 355142 |
| 20 | 11 | II | 16.02 | 1.73 | - | 16.02 | 7.75 | 7.59 | 9.25 | M20 | 9.25 | 77.82 | 355143 |
| 20 | 15 | II | 16.02 | 2.05 | - | 16.02 | 11.25 | 7.48 | 13.00 | M20 | 9.25 | 83.33 | 355144 |
| 25 | 8 | II | 16.02 | 1.50 | - | 16.02 | 5.50 | 5.35 | 6.75 | M20 | 13.00 | 73.85 | 355145 |
| 25 | 11 | II | 16.02 | 1.73 | - | 16.02 | 7.75 | 7.59 | 9.25 | M20 | 13.00 | 77.82 | 355146 |