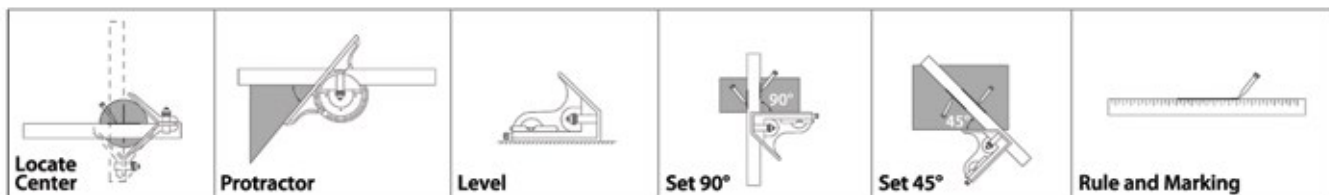
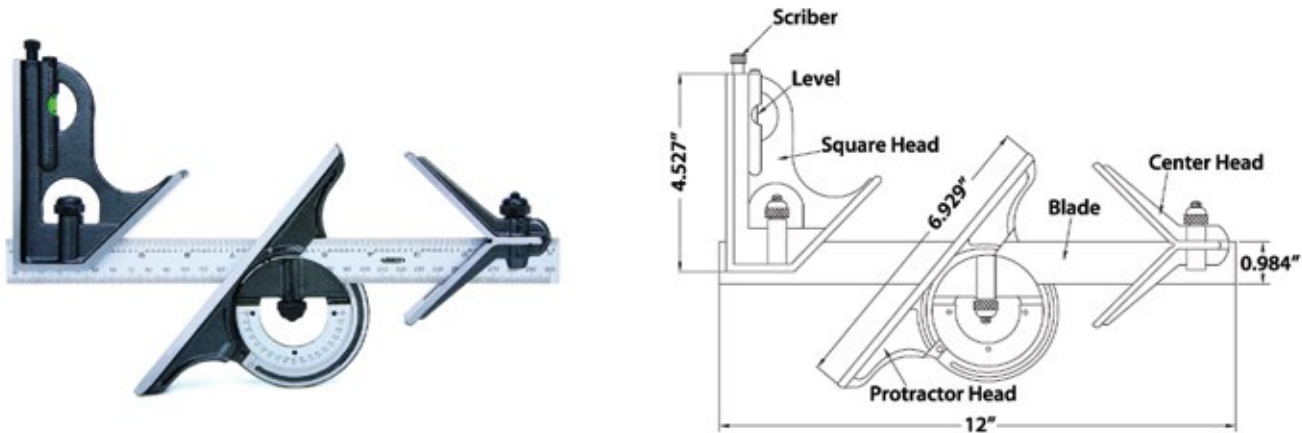


## Combination Squares



- Used as square, level, marking gage, scribe, center gage, protractor and 12" steel rule
- Center Head: to locate center of round workpieces - Accuracy:  $\pm 0.006"$
- Protractor Head: to set the blade at desired angle to an edge of a workpiece, and may be used to measure angles - Range: 0-180 °; Accuracy:  $\pm 7\text{min.}$
- Square Head: to set the blade at 90° or 45° to an edge of a workpiece - Accuracy:  $\pm 8\text{min.}$  for 90° square and  $\pm 10\text{min.}$  for 45° square
- Supplied in fitted storage case

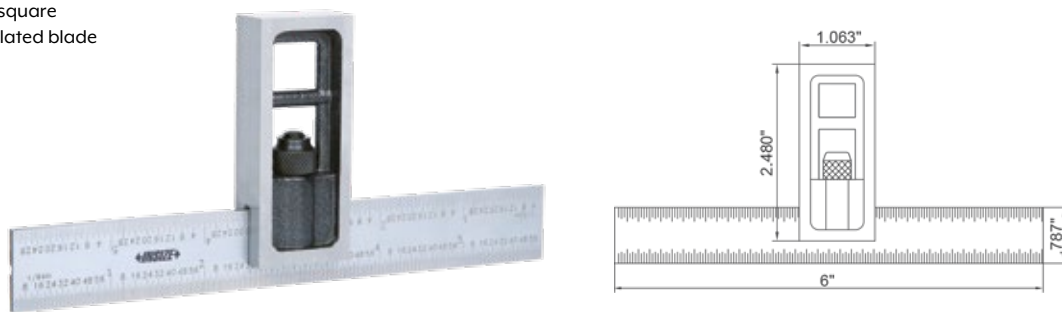
OPTIONAL ACCESSORY:  
Rigid Rule 283606 (7113-300A)

Blade Length	Blade Graduation	Description	INSIZE No.	Code
12"	1/8" and 1/16" on one side, 1/32" and 1/64" on reverse side	2-pcs: rule & square head	2278-2E	877154
12"	1/8" and 1/16" on one side, 1/32" and 1/64" on reverse side	3-pcs: rule, square & center head	2278-3E	877155
12"/300mm	1/32" and 0.5mm on one side, 1/64" and 1mm on reverse side	4-pcs: rule, square, center & protractor head	2278-180	816324
12"	1/8" and 1/16" on one side, 1/32" and 1/64" on reverse side	4-pcs: rule, square, center & protractor head	2278-180E	283344

## Double Square



- Accuracy:  $\pm 2\text{min}$  for 90° square
- Hardened and chrome plated blade



Blade Length	Blade Graduation	INSIZE No.	Code
6"	1/8", 1/16", 1/32", 1/64"	2277-2	283348