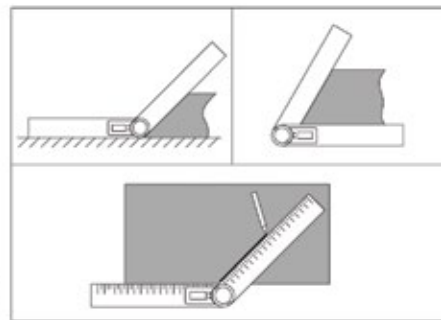
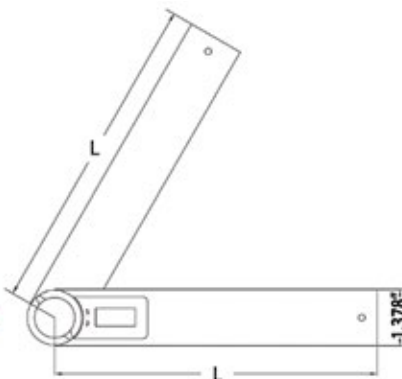
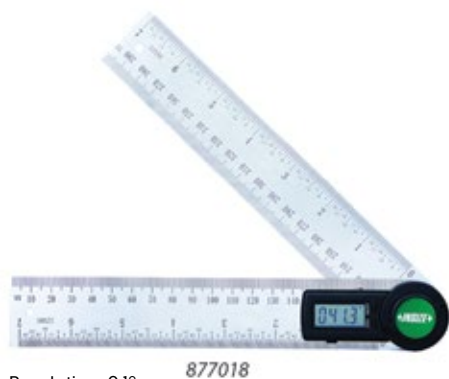


### Electronic Protractor



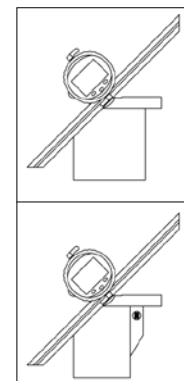
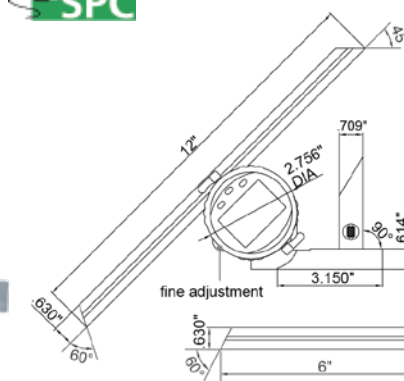
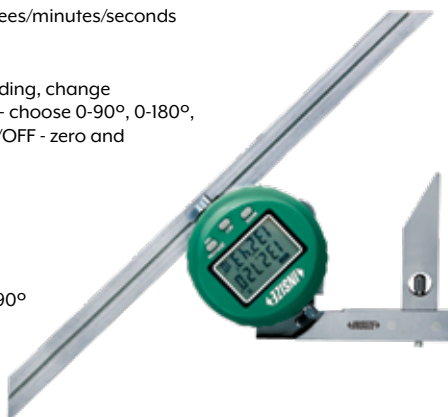
- Resolution: 0.1°
- Accuracy: ±0.3°
- Buttons: on/off, zero
- With locking screw
- Graduation of blade: 1/32" and 1mm
- Stainless steel
- Battery CR2032
- Auto power off

L (Inch)	Range	INSIZE No.	Code
8	0-360°	2176-200	877018
12	0-360°	2176-300	877107

### Electronic Protractor



- Display in degrees and degrees/minutes/seconds
- Resolution: 10"/0.005"
- Accuracy: ±5'
- Buttons: SET - preset the reading, change measuring direction; MODE - choose 0-90°, 0-180°, or 0-360° display; ZERO/ON/OFF - zero and power on/off
- Stainless steel
- Battery CR2032
- Data output
- Auto power off
- Two blades: 6" and 12"
- Supplied with square to set 90°
- Supplied in storage case



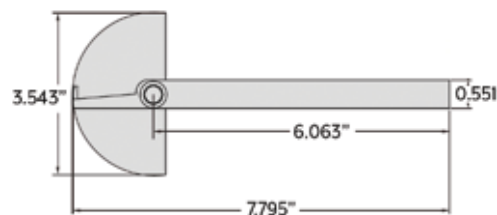
OPTIONAL ACCESSORIES:  
SPC cable, Clamp 284912 (2372-CLAMP) for Height Gages - INSIZE series 1156, 1250 and 1351

Range	INSIZE No.	Code
0-360°	2172-360A	283343

### Protractor



- Graduations: 1°
- Accuracy: ±0.5°
- Stainless steel with satin chrome plated scale
- With locking screw
- Supplied in storage case



Range	INSIZE No.	Code
0-180°	4780-85A	283328