



## Independent Lathe Chucks

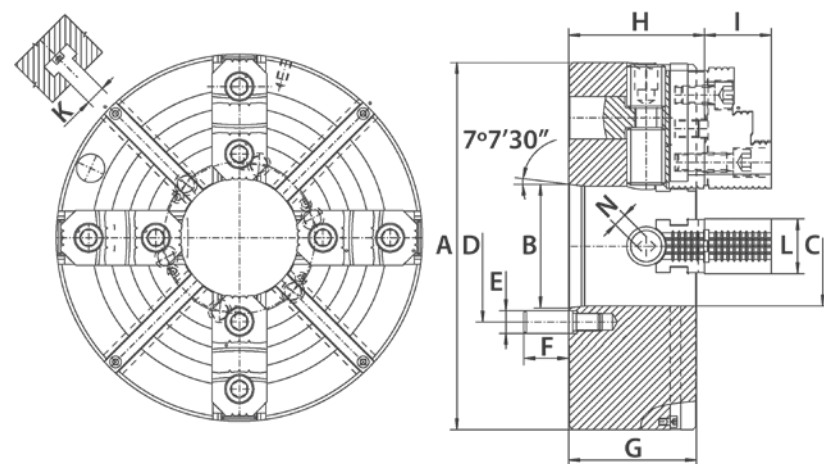
Steel – 2-Piece Jaws – 4-Jaw Independent (*continued*)

Oil Country Chucks – Type D – Series 4347 HD

- Steel
- With large through-hole designed for gripping long and heavy work pieces or pipes during heavy duty (HD) machining
- High gripping force
- High accuracy
- Heavy duty operations
- Chucks can work individually or in pairs, mounted on opposite sides of the lathe spindle

**Standard Accessories:**

- 1 set of hard top jaws
- 1 set of hard master jaws
- 1 wrench



Chuck Diameter (Inch)	Clamping Range (Inch)	Torque on Wrench (lb/ft)	Gripping Force per Jaw (lbf)
16.34	1.77 - 15.75	259	7,190
16.34	1.77 - 15.75	259	7,190
19.69	1.77 - 19.69	259	7,190
19.69	1.77 - 19.69	259	7,190
27.95	2.95 - 27.95	331	9,217

A (Inch)	Taper Size	B (Inch)	C (Inch)	D (Inch)	E (Inch)	F (Inch)	G (Inch)	H (Inch)	I (Inch)	K (Inch)	L (Inch)	N (Inch)	Max RPM	Weight (lbs)	Code
16.34	8	5.50	5.35	6.75	1.00	2.00	5.71	6.07	2.98	0.71	2.36	0.75	1,200	300	355316
16.34	11	7.75	6.61	9.25	1.19	2.39	5.71	6.07	2.98	0.71	2.36	0.75	1,200	282	355317
19.69	8	5.50	5.35	6.75	1.00	2.00	5.71	6.07	2.98	0.87	2.36	0.75	1,000	467	355318
19.69	11	7.75	6.61	9.25	1.19	2.39	5.71	6.07	2.98	0.87	2.36	0.75	1,000	452	355319
27.95	11	7.75	7.56	9.25	1.19	2.39	6.10	6.58	3.57	0.87	2.95	0.87	750	992	355320

LATHE CHUCKS & ACCESSORIES