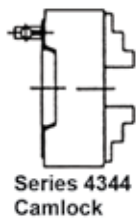




## Independent Lathe Chucks

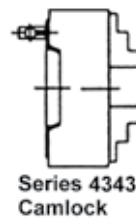
Steel/Semi-Steel – 4-Jaw Chucks (continued)

### Semi-Steel – Camlock – Series 4344



Chuck Diameter (Inch)	Spindle Type	Bore Diameter (Inch)	Weight (lbs)	Code
8	D1-3	1.97	37	355228
8	D1-4	1.97	37	355229
8	D1-5	1.97	37	355230
10	D1-4	2.36	61	355231
10	D1-5	2.56	61	355232
10	D1-6	2.56	61	355233
12	D1-6	3.15	87	355234
12	D1-8	3.15	87	355235
16	D1-6	3.94	132	355236
16	D1-8	3.94	132	355237
16	D1-11	3.94	132	355238
20	D1-8	4.92	211	355239
20	D1-11	4.92	211	355240
25	D1-11	6.30	364	355241

### Semi-Steel – Camlock – Series 4343

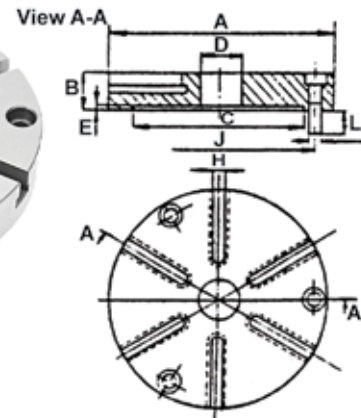


Chuck Diameter (Inch)	Spindle Type	Bore Diameter (Inch)	Weight (lbs)	Code
8	D1-4	3.15	40	355242
8	D1-5	3.15	40	355243
8	D1-6	3.15	40	*355244
10	D1-5	3.35	65	355245
10	D1-6	3.35	65	355246
10	D1-8	3.35	65	355247
12	D1-6	3.74	93	*355248
12	D1-8	3.74	93	355249
16	D1-6	4.13	141	355250
16	D1-8	4.13	141	355251
16	D1-11	4.13	141	355252
20	D1-8	4.72	226	355253
20	D1-11	4.72	226	355254
20	D1-15	4.72	226	355255
25	D1-8	5.51	389	355256
25	D1-11	5.51	389	355257
25	D1-15	5.51	389	355258
32	D1-11	6.20	703	355259
32	D1-15	6.20	703	355260

\* Steel

## Face Plates

- Face plates are designed for use with BISON adapters
- May also be mounted on any lathe spindle nose
- Includes 3 mounting bolts (M)



A (Inch)	B (Inch)	C (Inch)	D (Inch)	E +0.008 (Inch)	M Mounting Bolts	L (Inch)	H (Inch)	J +0.008 (Inch)	Weight (lbs)	Code
6-1/4	1.18	4.921	1.18	0.157	M10 x 1.5	0.59	3/8	5.512	7.5	355272
8	1.38	6.299	1.57	0.197	M10 x 1.5	0.59	1/2	6.929	12.0	355273
12-1/2	1.97	10.236	1.97	0.197	M16 x 2	1.02	5/8	11.260	39.0	355274