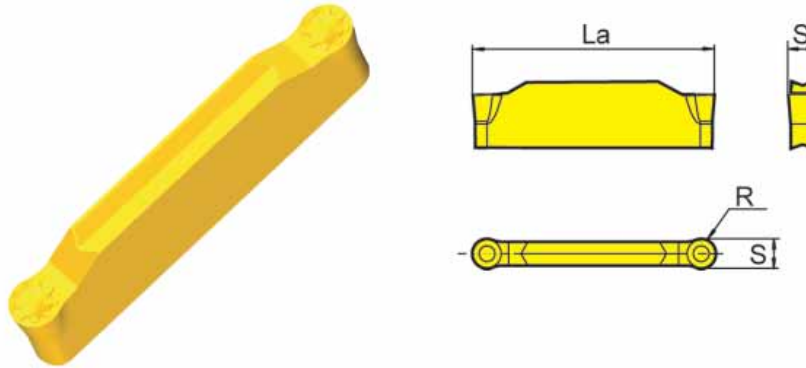


Grooving Profiling Inserts



Coated Grades

YBG202

Type	S (Inch) +0.004 -0	S (mm) +0.10 -0	R (Inch) ±0.002	R (mm) ±0.05	La max (Inch)	La max (mm)	Code
ZRED025-MG	0.098	2.5	0.049	1.25	0.787	20	576054
ZRFD03-MG	0.118	3.0	0.059	1.50	0.787	20	576058
ZRGD04-MG	0.157	4.0	0.079	2.00	0.984	25	576070
ZRHD05-MG	0.197	5.0	0.098	2.50	0.984	25	576074
ZRKD06-MG	0.236	6.0	0.118	3.00	0.984	25	576078

YBG302

Type	S (Inch) +0.004 -0	S (mm) +0.10 -0	R (Inch) ±0.002	R (mm) ±0.05	La max (Inch)	La max (mm)	Code
ZRED025-MG	0.098	2.5	0.049	1.25	0.787	20	576052
ZRFD03-MG	0.118	3.0	0.059	1.50	0.787	20	576056
ZRHD05-MG	0.197	5.0	0.098	2.50	0.984	25	576072
ZRKD06-MG	0.236	6.0	0.118	3.00	0.984	25	576076

YBC251

Type	S (Inch) +0.004 -0	S (mm) +0.10 -0	R (Inch) ±0.002	R (mm) ±0.05	La max (Inch)	La max (mm)	Code
ZRGD04-MG	0.157	4.0	0.079	2.00	0.984	25	576064

Uncoated Grade

YD201

Type	S (Inch) +0.004 -0	S (mm) +0.10 -0	R (Inch) ±0.002	R (mm) ±0.05	La max (Inch)	La max (mm)	Code
ZRGD04-MG	0.157	4.0	0.079	2.00	0.984	25	576062