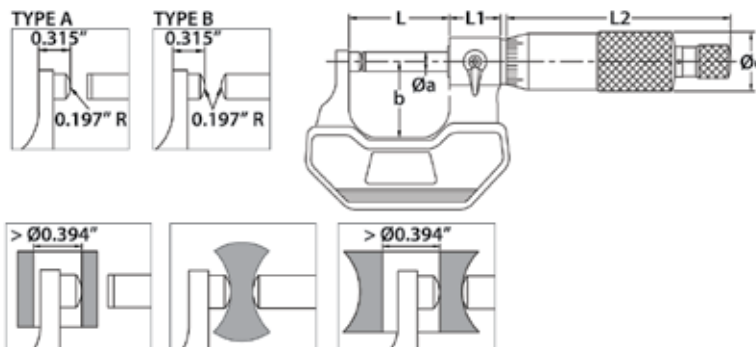


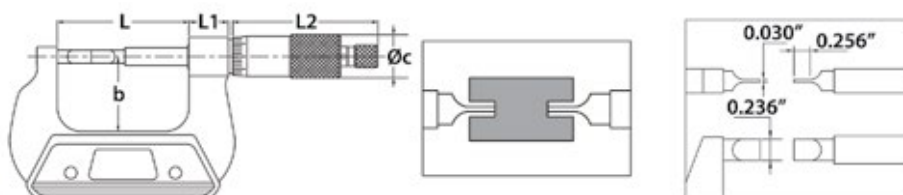
## Spherical Anvil Tube Micrometers



- For measuring wall thickness of tubes
- Graduation: 0.0001"
- Ratchet stop
- Carbide tips
- Micrometers over 1" are supplied with a setting standard
- Supplied in fitted storage case

Range (Inch)	Type	Accuracy (Inch)	L (Inch)	L1 (Inch)	L2 (Inch)	Øa (Inch)	b (Inch)	Øc (Inch)	INSIZE No.	Code
0-1	A	0.00015	1.260	0.669	2.598	0.256	0.945	0.709	3260-1	281457
0-1	B	0.00015	1.260	0.669	2.598	0.256	0.945	0.709	3260-1S	281461
1-2	A	0.00015	2.244	0.669	2.598	0.256	1.260	0.709	3260-2	281458
1-2	B	0.00015	2.244	0.669	2.598	0.256	1.260	0.709	3260-2S	281462
2-3	A	0.00020	3.228	0.669	2.598	0.256	1.752	0.709	3260-3	281459

## Blade Micrometers



- Measures the groove diameters of shafts and keyways
- Graduation: 0.0001"
- Non-rotating spindle
- Ratchet stop
- Micrometers over 1" are supplied with a setting standard
- Supplied in fitted storage case

Range (Inch)	Accuracy (Inch)	L (Inch)	L1 (Inch)	L2 (Inch)	b (Inch)	Øc (Inch)	INSIZE No.	Code
0-1	±0.00015	2.244	0.669	2.598	1.260	0.709	3232-1	281320
1-2	±0.00015	3.228	0.669	2.598	1.752	0.709	3232-2	281321
2-3	±0.00020	4.213	0.669	2.598	2.244	0.709	3232-3	281322
3-4	±0.00020	5.220	0.669	2.598	2.736	0.709	3232-4	281323
4-5	±0.00025	6.220	0.669	2.598	3.228	0.709	3232-5	281324
5-6	±0.00025	7.220	0.669	2.598	3.720	0.709	3232-6	281325
6-7	±0.00030	8.220	0.669	2.598	4.213	0.709	3232-7	281326

## Cylindrical Anvil Tube Micrometers



- Measure wall thickness of tubes
- Graduation 0.0001"
- Ratchet stop
- Carbide spindle tip

Range (Inch)	Accuracy (Inch)	L (Inch)	b (Inch)	INSIZE No.	Code
0-1	0.00025	1.417	0.984	3261-1	281480
0-1	0.00025	1.417	0.984	3261-1C	281483