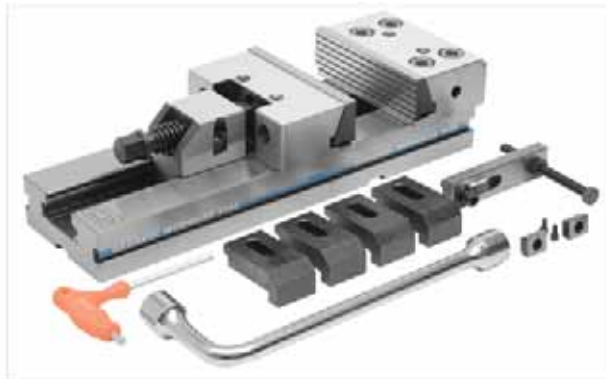
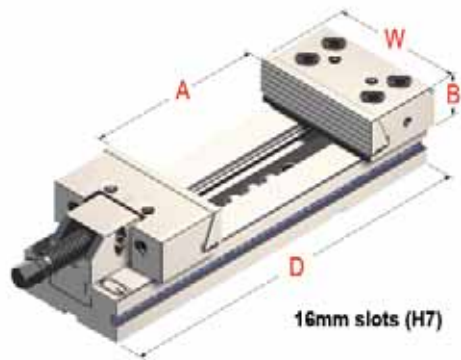


Modular System Vises



Standard Series Vises



- Modular design for easy interchangeability
- Hardened and ground steel
- Manufactured under rigid quality control
- Fixed vise with guided movable jaw
- High alloyed quality resistance steel, case hardened (HRC 60 ±2)
- Unlimited clamping range
- Supplied with one workstop, one pair of positioning key nuts, two pair of clamps, one box wrench and one "T" wrench

Type	W Jaw Width (Inch)	A Jaw Opening (Inch)	B Jaw Height (Inch)	D Base Length (Inch)	Approximate Weight (kg/lbs)	Code
1	4	3.9	1.1	10.6	7/15	278000
2	5	5.9	1.5	13.5	13/28	278002
3	6	7.8	1.9	16.5	26/56	278004
3	6	11.1	1.9	20.7	29/64	278006
4	7	7.8	2.3	17.9	37/81	278008
4	7	1.8	2.3	21.8	42/92	278010
4	7	5.7	2.3	25.7	47/103	278012
4	7	19.6	2.3	29.7	52/114	278014
5	8	7.9	2.5	19.4	64/141	278016
5	8	11.8	2.5	23.4	69/152	278018
5	8	15.7	2.5	27.3	74/163	270020
5	8	19.6	2.5	31.2	79/174	278022
5	8	23.6	2.5	35.2	84/185	278024
6	12	11.8	3.1	25.0	105/231	278026
6	12	15.7	3.1	28.9	115/253	278068
6	12	19.6	3.1	32.8	125/275	278030
6	12	23.6	3.1	36.8	135/297	278032