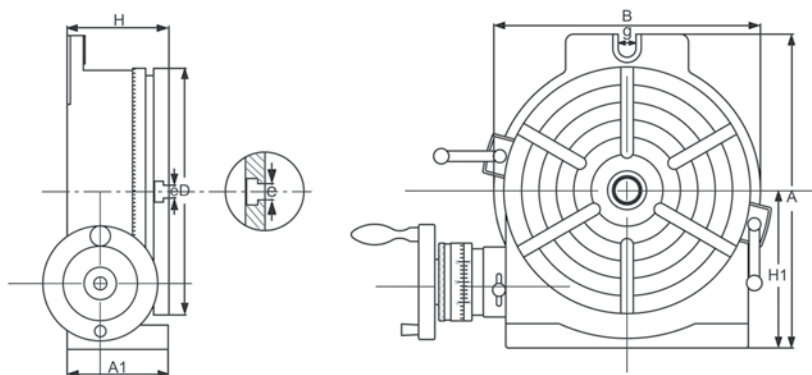


Horizontal/Vertical Rotary Table



The work table is graduated 360 degrees around its circumference and is driven by a precision worm and gear providing a 90:1 reduction ratio. One turn of the handle moves the table through four degrees. The dial is graduated in divisions of 1 minute and the vernier scale allows readings down to 10 seconds.

- The worm is hardened and precision ground to minimize wear of the worm gear
- Both the upper and lower surface of the rotary plates are precision ground
- Operation and service manual included

OPTIONAL ACCESSORIES:

- Tail Stock
- Dividing Plate Set
- 3-Jaw Chuck

Model	Table			Base Dimensions			Width of T-Slot	Bolt Slots	Load Capacity of Table (kg)		Center Taper	Weight (kg)		Code
	Outer Diameter		Height						Horizontal	Vertical		Net	Gross	
	A1 (mm)	D (mm)	H (mm)	e (mm)	g									
HV-6	78	150	80	102	205	163	11	17	40	20	MT2	12.1	12.7	277106
HV-8	100	205	102	135	265	219	14	17	80	40	MT3	24.7	26.2	277107
HV-10	106	254	109	163	321	276	14	17	90	50	MT3	35.5	37.3	277108
HV-12	123	305	125	194	388	330	16	18	120	60	MT4	58.7	69.8	277109
HV-16	128	406	130	258	503	435	16	18	140	70	MT4	106.4	123.1	277110