

Precision Milling Machine Vises



FCD-60 Ductile Iron

6" x 7.5" Opening



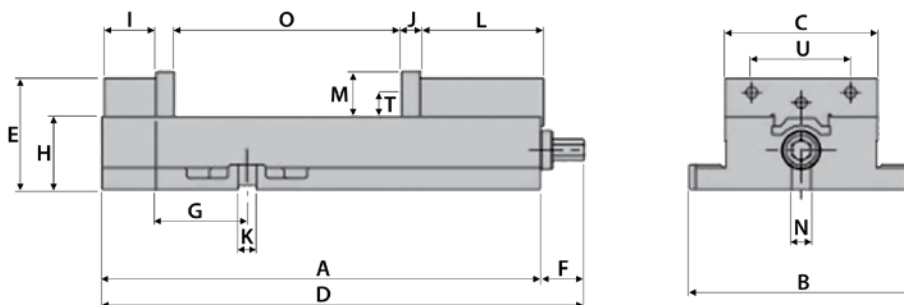
6" x 8.9" Opening



8" x 10" Opening



| Dimensions (Inch) | | | |
|-------------------|--------|--------|--------|
| A | 17.01 | 17.20 | 21.85 |
| B | 9.25 | 8.74 | 11.61 |
| C | 5.94 | 5.94 | 8.11 |
| D | 18.74 | 18.94 | 24.21 |
| E | 4.37 | 4.37 | 5.28 |
| F | 1.73 | 1.73 | 2.36 |
| G | 4.25 | 3.56 | 4.95 |
| H | 2.88 | 2.88 | 3.31 |
| I | 2.05 | 2.05 | 2.28 |
| J | 0.71 | 0.71 | 0.95 |
| K | 0.69 | 0.69 | 0.81 |
| L | 4.84 | 4.84 | 6.18 |
| M | 1.75 | 1.75 | 2.20 |
| N | 0.75 | 0.75 | 0.75 |
| O | 7.56 | 8.90 | 10.43 |
| T | 0.94 | 0.94 | 1.26 |
| U | 3.87 | 3.87 | 4.72 |
| Weight (lbs) | 79.37 | 80.03 | 150.36 |
| Code | 277064 | 277065 | 277066 |



| Bed Height from Machine Table | Parallelism of Vise Base to Vise Bed | Vertical of Fixed Jaw to Vise Bed | Clamping Force (lbs) | Code |
|-------------------------------|--------------------------------------|-----------------------------------|----------------------|--------|
| 2.875" ±0.001" | | | 6,700 | 277064 |
| 2.875" ±0.001" | 0.0006" | 0.0005" | 7,900 | 277065 |
| 3.260" ±0.001" | | | 11,600 | 277066 |

Toolmaker's Vises



- Squareness and parallelism guaranteed within 0.0002" on sides and bottom
- Made of hardened steel and precision ground
- Horizontal and vertical v-grooves in movable jaw
- The "no rise" jaw construction exerts continual downward pressure on the jaw, preventing the jaw from rising which is a common problem on most vises

| Jaw Width (Inch) | Jaw Opening (Inch) | Jaw Depth (Inch) | Overall Length (Inch) | Overall Height (Inch) | Code |
|------------------|--------------------|------------------|-----------------------|-----------------------|--------|
| 2 | 3-1/8 | 1 | 5-1/2 | 2 | 321482 |
| 3 | 3-3/4 | 1-3/8 | 7 | 2-1/2 | 321483 |
| 3 | 4 | 1-3/8 | 7-1/4 | 2-1/2 | 321486 |

| Jaw Width (Inch) | Jaw Opening (Inch) | Jaw Depth (Inch) | Vise Length (Inch) | Code |
|------------------|--------------------|------------------|--------------------|--------|
| 2 | 2-1/2 | 1 | 6 | 321488 |
| 2-1/2 | 3-1/2 | 1-1/4 | 7-1/2 | 321489 |
| 3 | 3-1/2 | 1-1/4 | 8-1/2 | 321490 |

VISES & ACCESSORIES