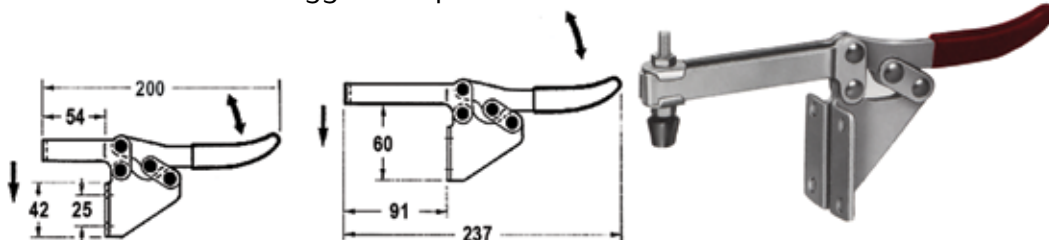


Toggle Clamps & Accessories

(continued)

Horizontal Handle Toggle Clamps with Vertical Mount

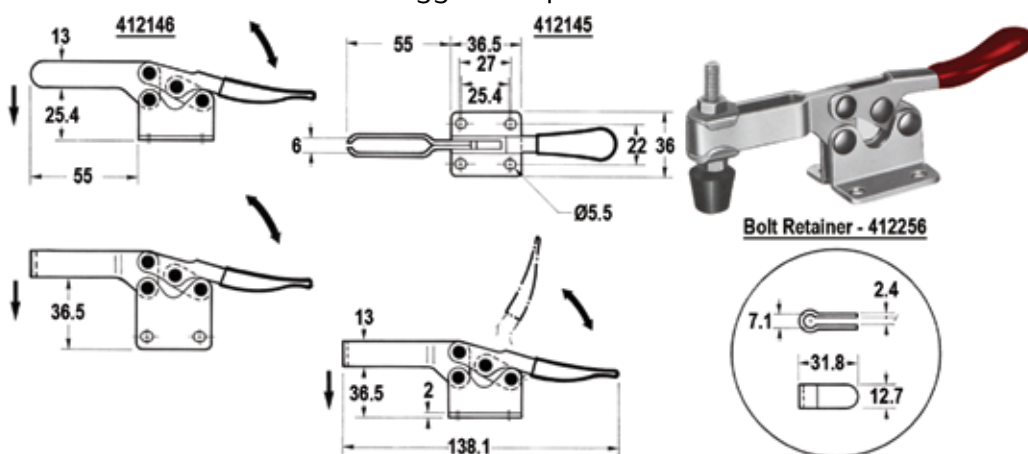
- Holding capacity: 217 kg (480 lbs)
- Weight: 315 g (11 oz)
- U-bar
- Straight base, vertical mounting
- Horizontal handle
- Neoprene tipped
- Vinyl hand grip



Model	Description	Code
202F	U-bar, vertical mount, straight handle	412180
202FL	Long U-bar, vertical mount, straight handle	412181

Horizontal Handle Toggle Clamps

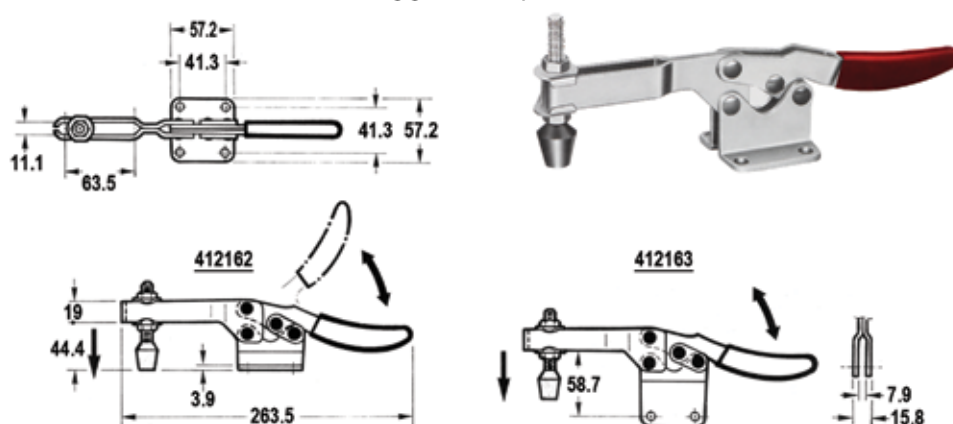
- Low Profile
- Holding capacity: 90 kg (200 lbs) maximum
- Weight: 130 g (4.6 oz.)
- Handle moves 60°, bar 85°
- Neoprene tipped
- Solid bar
- Vinyl hand grip



Model	Description	Code
201B	U-bar, flanged base	412145
201BI	U-bar, straight base	412146
201BS	Solid bar, flanged base	412147

Horizontal Handle Toggle Clamps

- Low Profile
- Holding capacity: 340 kg (750 lbs) maximum
- Weight: 640 g (22.6 oz)
- Handle moves 50°, bar 85°
- Neoprene tipped
- Vinyl hand grip



Model	Description	Code
20235	U-bar, flanged base	412162
20236	U-bar, straight base	412163