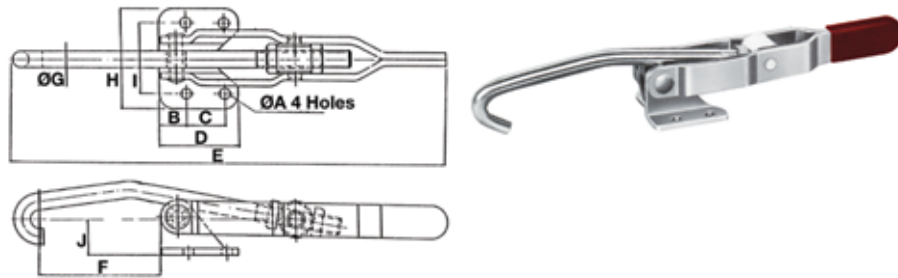


Toggle Clamps & Accessories

(continued)

Latch Toggle Clamps – Hook Style

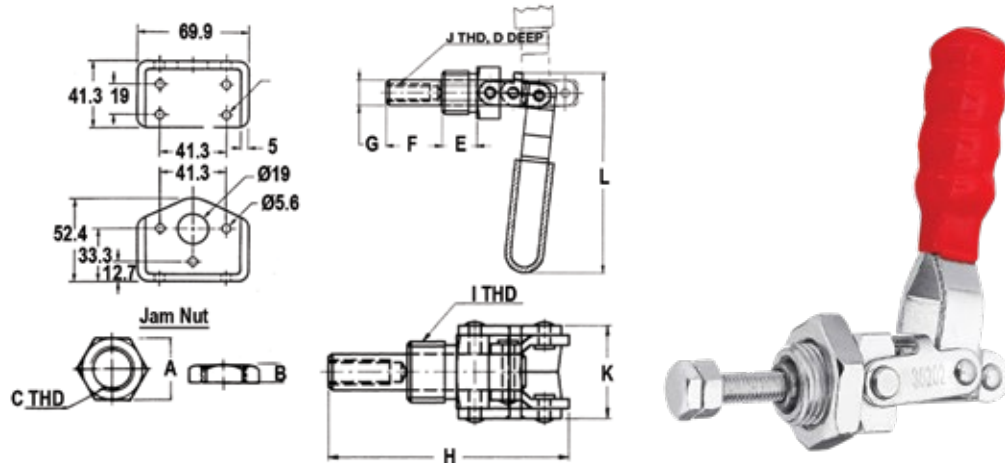
- Holding capacity: Model 451 – 170 kg (374 lbs) maximum; Model 40371 – 340 kg (750 lbs) maximum
- Weight: Model 451 – 270 g (10 oz); Model 40371 – 624 g (1 lb, 6 oz)
- Vinyl hand grip



Model	A Inch (mm)	B Inch (mm)	C Inch (mm)	D Inch (mm)	E Inch (mm)	F Inch (mm)	G Inch (mm)	H Inch (mm)	I Inch (mm)	J Inch (mm)	Code
451	7/32 (5.6)	1/2 (12.7)	3/4 (19)	1-1/2 (38.1)	8-5/16 (211.1)	2-5/16 (58.7)	5/16 (8)	1-15/16 (49.2)	1-3/8 (34.9)	3/4 (19)	412160
40371	11/32 (8.7)	5/16 (7.9)	1-1/4 (31.8)	1-7/8 (47.6)	11-1/4 (285.8)	3-1/8 (79.4)	3/8 (9.5)	2-19/32 (65.7)	1-15/16 (49.2)	1-25/64 (35.32)	412161

Push/Pull Toggle Clamps

- Holding capacity: Model 36202 – 91 kg; Model 36204 – 136 kg; Model 36206 – 318 kg
- Weight: Model 36202 – 113 g; Model 36204 – 270 g; Model 36206 – 690 g
- Plunger clamp with threaded collar for mounting through panels or plates
- Plunger locks in extended or retracted position
- Vinyl hand grip and jam nut



Model	Plunger Travel (mm)	A (mm)	B (mm)	C Thread	D (mm)	E (mm)	F (mm)	ØG (mm)	H (mm)	I Thread	J Thread	K (mm)	L (mm)	Code
36202	19.0	23	6.4	5/8-18	15.80	12.7	20.6	9.4	63	5/8-18	1/4-20	26	76	412167
36204	38.0	30	6.4	3/4-16	25.40	15.9	39.7	11.0	1.5	3/4-16	5/16-18	30	99	412168
36206	66.8	41	6.4	1-14	31.75	22.0	69.0	15.8	169.5	1-14	3/8-16	37	127	412169