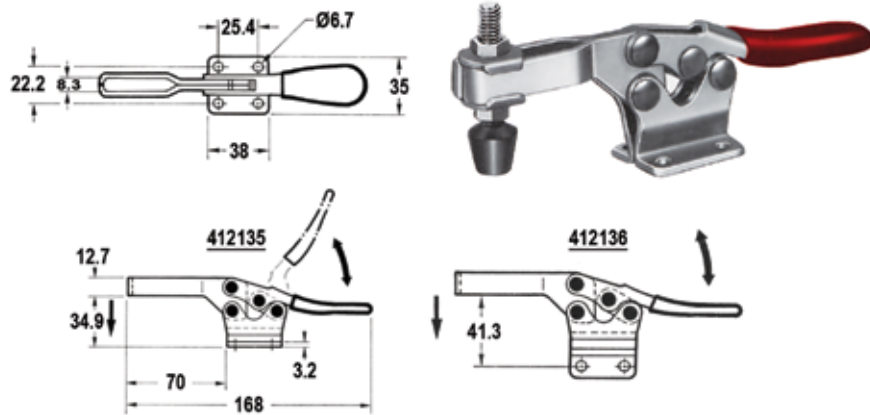


Toggle Clamps & Accessories

(continued)

Horizontal Handle Toggle Clamps

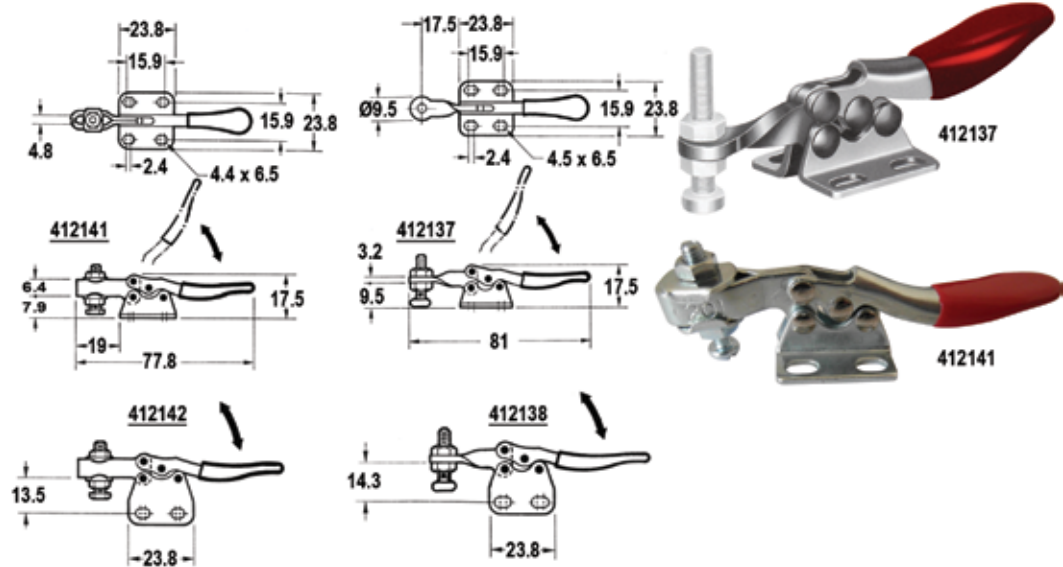
- Compact size
- Low profile
- Holding capacity: 227 kg (500 lbs) maximum
- Weight: 265 g (9.4 oz)
- Handle moves 65°, bar 90°
- Neoprene tipped
- Vinyl hand grip



Model	Description	Code
225D	U-bar, flanged base	412135
225DI	U-bar, straight base	412136

Horizontal Handle Toggle Clamps

- Miniature size
- Low profile
- Holding capacity: 27 kg (60 lbs) maximum
- Weight: 43 g (1-1/2 oz)
- Handle moves 80°, bar 90°
- Nylon spindle
- Vinyl hand grip



Model	Description	Code
201A	Solid bar, flanged base	412137
201A-1	Solid bar, straight base	412138
201AL	Solid bar, left hand flanged base	412139
201AR	Solid bar, right hand flanged base	412140
201	U-bar, flanged base	412141
201-1	U-bar, straight base	412142