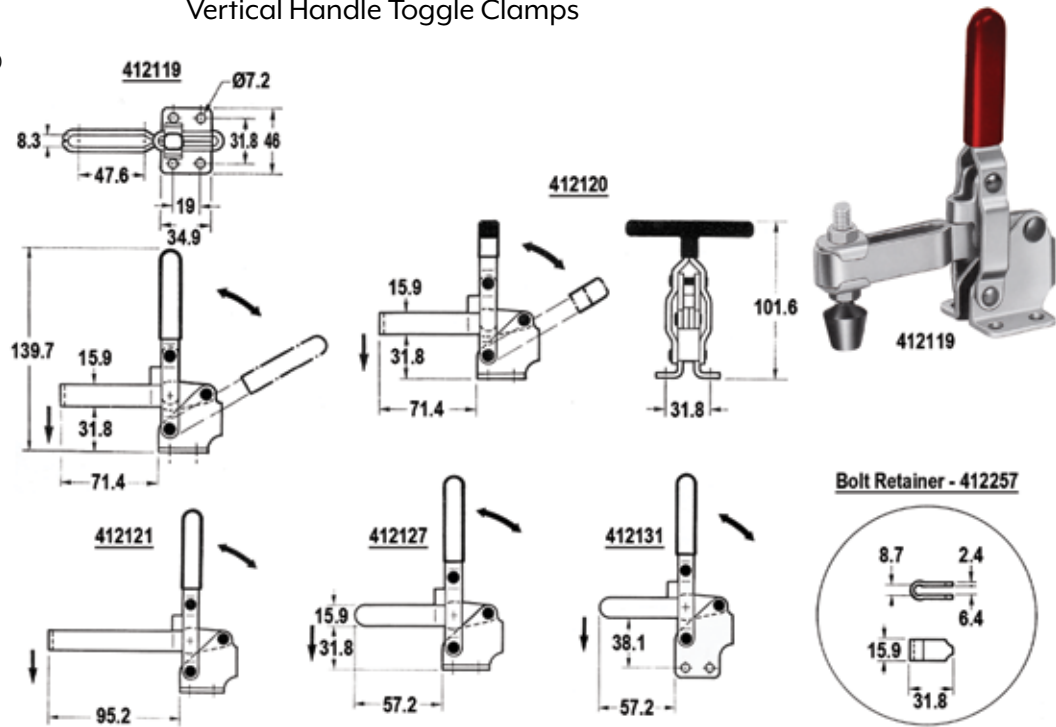


Toggle Clamps & Accessories

(continued)

Vertical Handle Toggle Clamps

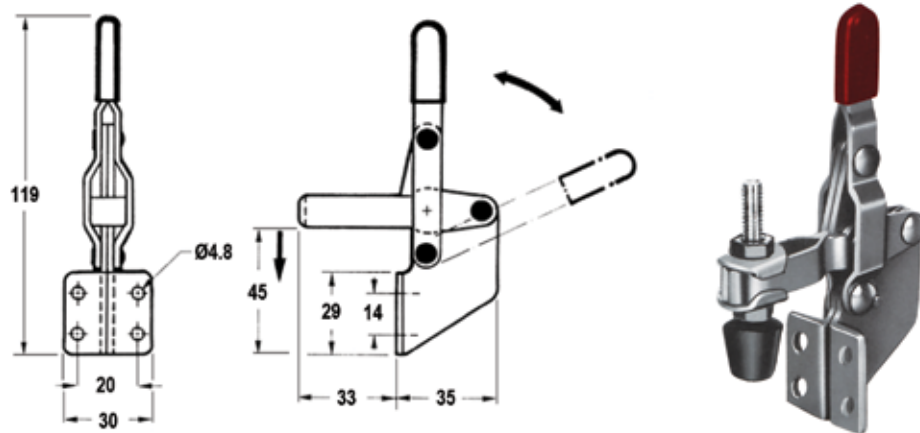
- Holding capacity: 227 kg (500 lbs) maximum
- Handle moves 60°, bar 100°
- Accepts all 5/16-18 diameter spindles
- U-Bar supplied with two flanged washers
- Vinyl hand grip



Model	Description	Weight g (oz)	Code
12130	Short U-bar, flanged base, straight handle	355 (12.5)	412119
12131	Short U-bar, flanged base, T-handle	370 (13)	412120
12132	Long U-bar, flanged base, straight handle	370 (13)	412121
12137	Long U-bar, straight base, straight handle	370 (13)	412125
12138	Long U-bar, straight base, T-handle	400 (12.5)	412126
12140	Short solid bar, flanged base, straight handle	340 (12)	412127
12143	Long solid bar, flanged base, T-handle	375 (13)	412130
12145	Short solid bar, straight base, straight handle	340 (12)	412131

Vertical Handle Toggle Clamp with Vertical Mount

- Holding capacity: 90 kg (200 lbs)
- Weight: 115 g (4 oz)
- U-bar
- Vertical mounting straight base
- Vertical handle
- Neoprene tipped
- Vinyl hand grip



Model	Description	Code
101B	U-bar, vertical mount, straight handle	412175