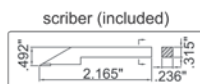
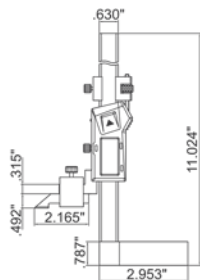




Electronic Height Gages

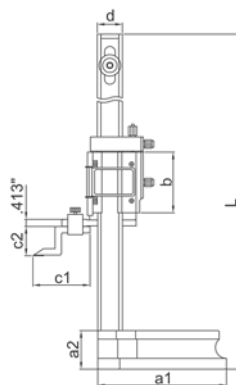
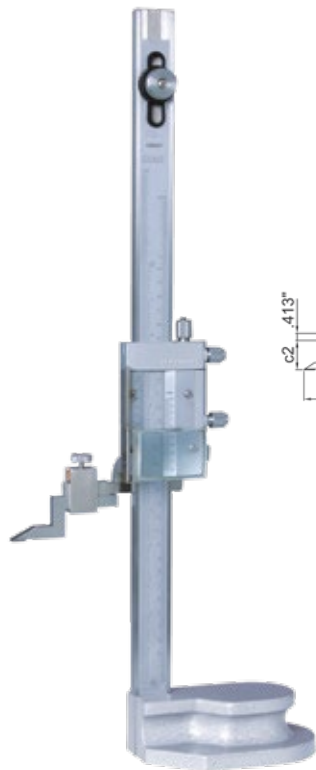
Light Duty



- Resolution: 0.0005"/0.01mm
- Buttons: on/off, zero, inch/mm
- Auto power off - move unit to turn on
- Carbide tipped scriber
- With fine adjustment
- Battery CR2032
- Data output
- Stainless steel
- Supplied in fitted storage case

Range (Inch/mm)	Accuracy (Inch)	INSIZE No.	Code
0-6/0-150	±0.0015	1154-150	877102

Vernier Height Gages



- Graduation: 0.001"/0.02mm
- Adjustable main scale to set zero
- Carbide tipped scriber
- Stainless steel (except base)
- Satin chrome plated scale
- Supplied with magnifier
- With fine adjustment
- Supplied with dust cover

Range (Inch/mm)	Accuracy (Inch)	L (Inch)	a1 (Inch)	a2 (Inch)	b (Inch)	c1 (Inch)	c2 (Inch)	d (Inch)	INSIZE No.	Code
0-12/0-300	±0.0016	21.457	5.315	1.693	2.953	3.150	1.181	1.102	1250-300	280780
0-24/0-600	±0.002	34.252	7.087	2.126	3.346	3.150	1.614	1.378	1250-600	280783

HEIGHT GAGES