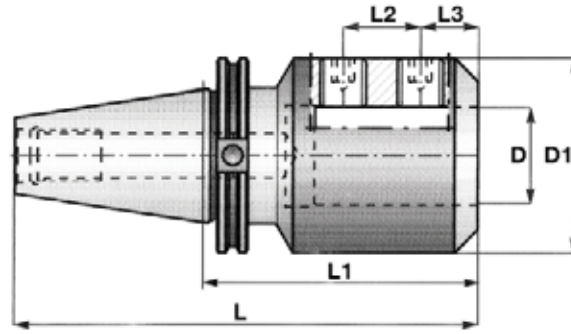


End Mill Holders Caterpillar V-Flange Shank



- Produced according to AT3 specifications
- Made of alloy forged steel for long, durable service life
- Hardened to 52-56 HRC and ground to ensure maximum accuracy
- End mill socket total indicator runout <0.0002"
- Through spindle coolant capability

Taper	D (Inch)	L1 (Inch)	L (Inch)	L3 (Inch)	L2 (Inch)	D1 (Inch)	Code	Taper	D (Inch)	L1 (Inch)	L (Inch)	L3 (Inch)	L2 (Inch)	D1 (Inch)	Code
CAT40	3/16	2-1/2	5-3/16	9/16	-	3/4	827402	CAT50	1/2	6-5/8	10-5/8	7/8	-	1-3/4	827425
CAT40	1/4	2-1/2	5-3/16	25/32	-	13/16	827403	CAT50	5/8	3-3/4	7-3/4	15/16	-	1-3/4	827426
CAT40	1/4	4	6-11/16	25/32	-	13/16	827404	CAT50	5/8	5-3/4	9-3/4	15/16	-	1-3/4	827427
CAT40	3/8	2-1/2	5-3/16	25/32	-	1-3/8	827405	CAT50	5/8	7-3/4	11-3/4	15/16	-	1-3/4	827428
CAT40	3/8	5	7-11/16	25/32	-	1-3/8	827406	CAT50	3/4	3-3/4	7-3/4	1	-	1-3/4	827429
CAT40	1/2	2-5/8	5-3/16	7/8	-	1-3/4	827407	CAT50	3/4	5-3/4	9-3/4	1	-	1-3/4	827430
CAT40	1/2	5	7-11/16	7/8	-	1-3/4	827408	CAT50	3/4	7-3/4	11-3/4	1	-	1-3/4	827431
CAT40	5/8	3-3/4	5-5/16	15/16	-	1-3/4	827409	CAT50	7/8	3-3/4	7-3/4	1-1/16	7/8	2-3/64	827432
CAT40	5/8	5-1/2	8-3/16	15/16	-	1-3/4	827410	CAT50	7/8	5-3/4	9-3/4	1-1/16	7/8	2-3/64	827433
CAT40	3/4	3-3/4	6-7/16	1	-	1-3/4	827411	CAT50	7/8	7-3/4	11-3/4	1-1/16	7/8	2-3/64	827434
CAT40	3/4	5-1/2	8-3/16	1	-	1-3/4	827412	CAT50	1	4	8	1-1/8	1	2-31/64	827435
CAT40	7/8	4	6-11/16	1-1/16	7/8	2-31/64	827413	CAT50	1	6	10	1-1/8	1	2-31/64	827436
CAT40	1	4	6-11/16	1-1/8	1	2-31/64	827414	CAT50	1	8	12	1-1/8	1	2-31/64	827437
CAT40	1	6	6-11/16	1-1/8	1	2-31/64	827415	CAT50	1-1/4	4	8	1-1/8	1	2-3/4	827438
CAT40	1-1/4	4-1/8	6-15/16	1-1/8	1	2-3/4	827416	CAT50	1-1/4	6	10	1-1/8	1	2-3/4	827439
CAT40	1-1/4	6	8-11/16	1-1/8	1	2-3/4	827417	CAT50	1-1/4	8	12	1-1/8	1	2-3/4	827440
CAT40	1-1/2	4-5/8	7-5/16	1-1/8	1	3-9/64	827418	CAT50	1-1/2	4	8	1-1/8	1	3-9/64	827441
CAT40	1-1/2	6	8-11/16	1-1/8	1	3-9/64	827419	CAT50	1-1/2	6	10	1-1/8	1	3-9/64	827442
CAT50	3/8	2-1/2	6-1/2	25/32	-	1-1/4	827420	CAT50	1-1/2	8	12	1-1/8	1	3-9/64	827443
CAT50	3/8	4-1/2	8-1/2	25/32	-	1-1/4	827421	CAT50	2	5-5/8	9-5/8	1-3/16	1-7/16	3-15/16	827444
CAT50	3/8	6-1/2	10-1/2	25/32	-	1-1/4	827422	CAT50	2	7-5/8	11-5/8	1-3/16	1-7/16	3-15/16	827445
CAT50	1/2	2-5/8	6-5/8	7/8	-	1-3/4	827423	CAT50	2	9-5/8	13-5/8	1-3/16	1-7/16	3-15/16	827446
CAT50	1/2	4-5/8	8-5/8	7/8	-	1-3/4	827424								