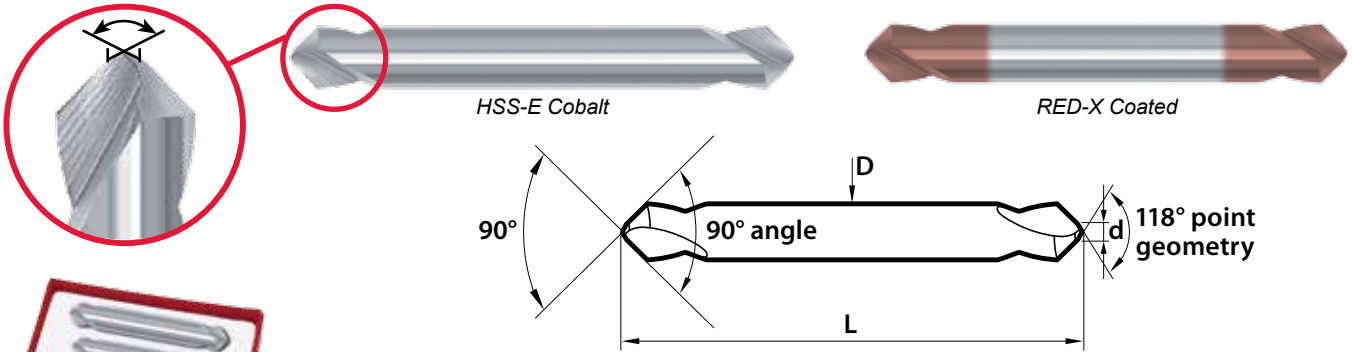


Spotting Drills



HSS-E Cobalt – 90° Angle – 118° Point Geometry – Uncoated & RED-X Coated

- 118° point geometry offers improved penetration rates while reinforcing the point
- Double ended for cost savings
- Available in 4-Piece sets or sold individually
- RED-X coating provides increased speeds and feeds and allows machining up to 55 HRC



D (Inch)	d (Inch)	L (Inch)	90° Uncoated (Series 019)	90° RED-X Coated (Series 0919)
			Code	Code
3/16	1/16	2	540091	540096
1/4	3/32	2	540092	540097
3/8	9/64	3	540093	540098
1/2	3/16	4	540094	540099
SETS – 4 Pieces – 3/16", 1/4", 3/8", 1/2"			540090	540095

Drill Mills

Cobalt and Carbide – 90° Point



Diameter (Inch)	Shank Diameter (Inch)	Flute Length (Inch)	Overall Length (Inch)	Cobalt	Carbide
				Code	Code
1/4	1/4	1/2	2	313805	313811
5/16	5/16	5/8	2	313806	313812
3/8	3/8	3/4	2-1/2	313807	313813
1/2	1/2	1	3	313808	313815
5/8	5/8	1-1/4	3-1/2	313809	313816
3/4	3/4	1-1/2	4	313810	313817