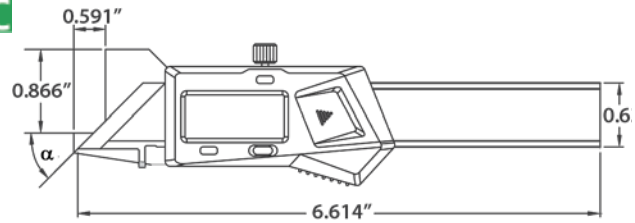
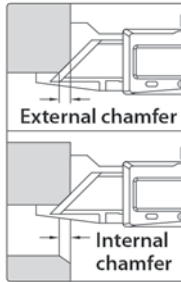


## Electronic Chamfer Gage



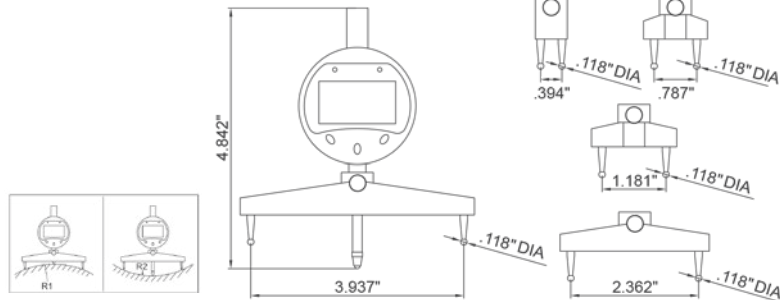
- Measures 45° chamfer dimension
- Resolution: 0.0005"/0.01mm
- Accuracy: ±0.0025"/0.063mm
- Buttons: on/off, zero, inch/mm
- Auto power off - move unit to turn power on
- Battery CR2032
- Data output
- Stainless steel

OPTIONAL ACCESSORY: SPC cable



Range (Inch/mm)	α Chamfer	INSIZE No.	Code
0-0.39/0-10	45°	1180-6	816370
0-0.39/0-10	30°	1180-63	877283

## Electronic Radius Gage



- For measuring the radius of internal and external arcs
- Resolution: 0.00005"/0.005mm
- Buttons: on/off, hold, inch/mm, s (select jaws), zero
- Display may be rotated 320°
- Supplied with 5 separate jaws for multiple arc sizes
- Battery CR2032
- Auto power off
- Supplied in fitted storage case

R1 Range of External Radius (Inch/mm)	R2 Range of Internal Radius (Inch/mm)	Accuracy (Inch)	INSIZE No.	Code
0.2-35.83/5-910	0.3-35.83/7-910	*±0.01R	2183	283213

\*R is the radius to be measured (Inch)

## Radius Gages



- Medium carbon steel
- Supplied in storage pouch



Range	Accuracy	Blade Size	Blade Quantity Internal + External	INSIZE No.	Code
1/32-1/4"	±0.0012"	1/32", 3/64", 1/16", 5/64", 3/32", 7/64", 1/8", 9/64", 5/32", 11/64", 3/16", 13/64", 7/32", 15/64", 1/4"	15 + 15	4801-15E	283567
17/64-1/2"	±0.0014"	17/64", 9/32", 19/64", 5/16", 21/64", 11/32", 23/64", 3/8", 25/64", 13/32", 27/64", 7/16", 29/64", 15/32", 31/64", 1/2"	16 + 16	4801-16E	283568
7.5-15mm	-	7.5, 8, 8.5, 9, 9.5, 10, 10.5, 11, 11.5, 12, 12.5, 13, 13.5, 14, 14.5, 15mm	16 + 16	4801-16	283565
1-7mm	-	1, 1.25, 1.5, 1.75, 2, 2.25, 2.5, 2.75, 3, 3.5, 4, 4.5, 5, 5.5, 6, 6.5, 7mm	17 + 17	4801-17	283564
17/32-1"	-	17/32", 9/16", 19/32", 5/8", 21/32", 11/16", 23/32", 3/4", 25/32", 13/16", 27/32", 7/8", 29/32", 15/16", 31/32", 1"	16 + 16	4801-16E1	283569