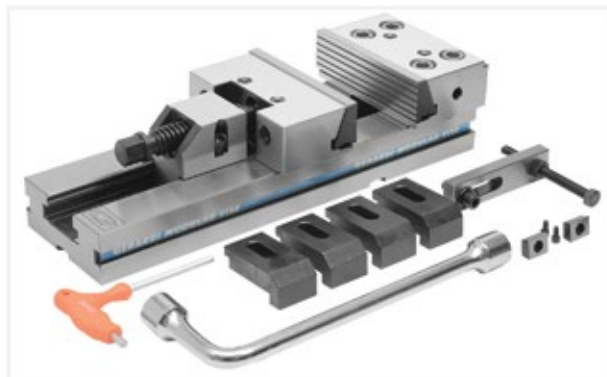
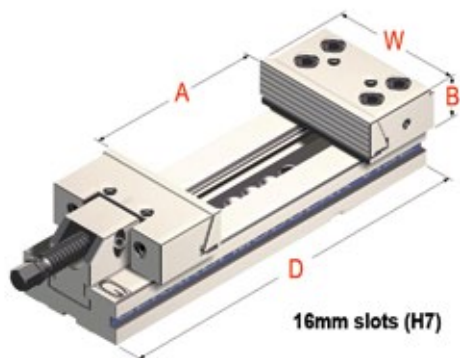




Modular System Vises

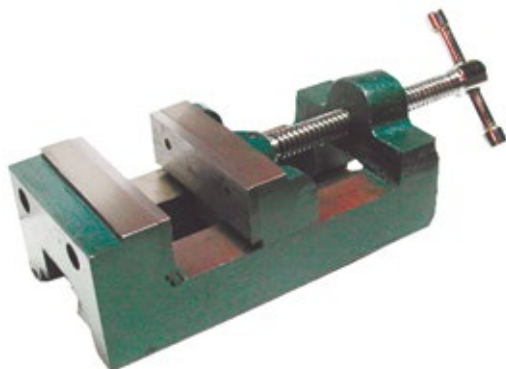
Standard Series



- Modular design for easy interchangeability
- Hardened and ground steel
- Manufactured under rigid quality control
- Fixed vise with guided movable jaw
- High alloyed quality resistance steel, case hardened (HRC 60 ±2)
- Unlimited clamping range
- Supplied with one workstop, one pair of positioning key nuts, two pair of clamps, one box wrench and one "T" wrench

Type	W Jaw Width (Inch)	A Jaw Opening (Inch)	B Jaw Height (Inch)	D Base Length (Inch)	Approximate Weight (kg/lbs)	Code
2	5	5.9	1.5	13.5	13/28	278002
3	6	7.8	1.9	16.5	26/56	278004
3	6	11.1	1.9	20.7	29/64	278006

Drill Press Vises



Jaw Width (Inch)	Jaw Opening (Inch)	Jaw Depth (Inch)	Weight (lbs)	Code
2-1/2	2-1/4	1-1/4	12	302276
3-1/2	3	1-5/16	18	302277

Jaw Width (Inch)	Jaw Opening (Inch)	Jaw Depth (Inch)	Weight (kg/lbs)	Code
3-1/8	2-3/4	1-1/16	3/6.61	327490
4-1/8	3-3/4	1-3/16	4/8.82	327491
5	4-5/8	1-3/8	6/13.23	327492
6	5-5/8	1-3/8	8/17.64	327493