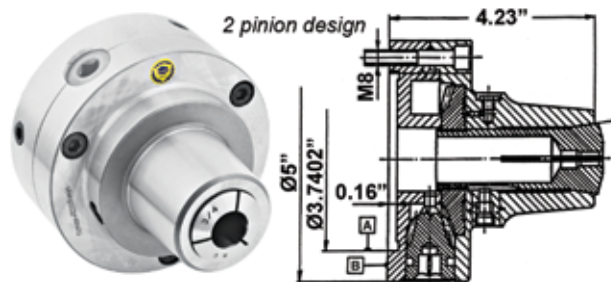




5C Collet Chucks

For Mounting with Back Plate



Plain Back

Chuck Size	5C Collet Holding (Inch)	Weight (lbs)	Code
5	1/16 - 1/8	13.0	358031

Direct Mount

Chuck Size	Mount	Weight (lbs)	Code
5	DI-4	15	358033
5	DI-5	15	358034

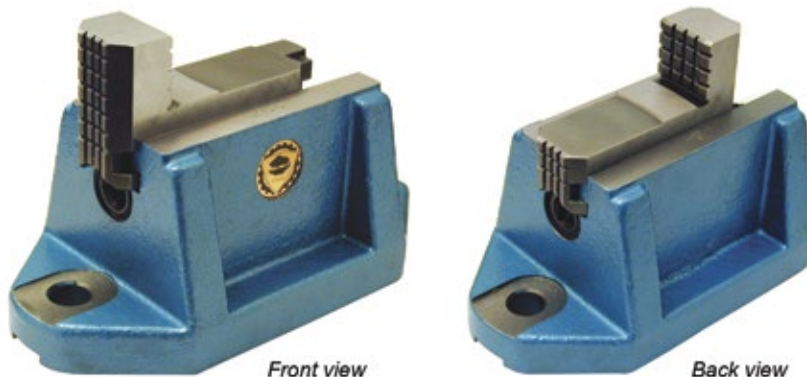
Machined Back Plates

Taper Size	Code
DI-3	355565
DI-4	355566
DI-6	358038
L00	358039

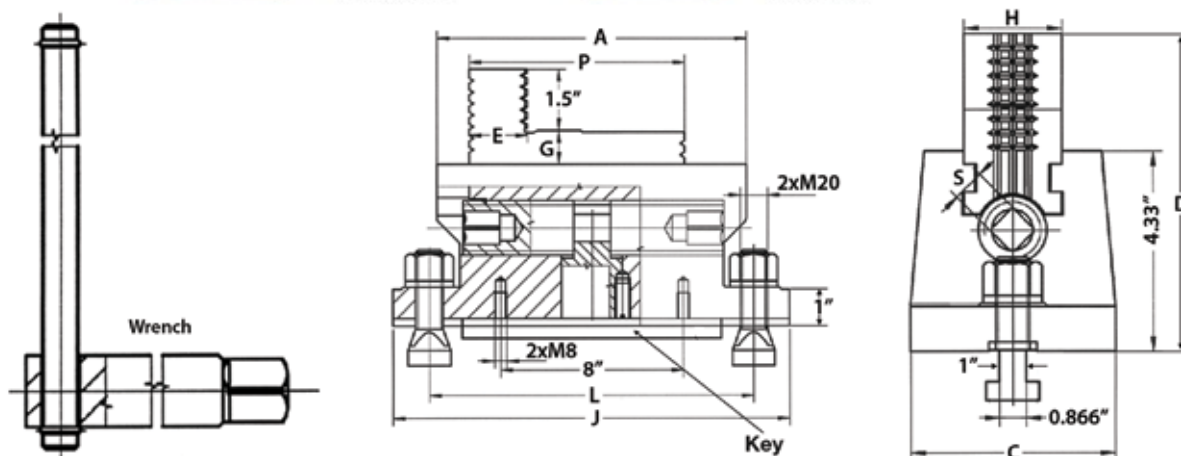
Other back plates available

Face Plate Jaws

For Radial T-Slot Tables



- Heavy semi-steel body
- Hard solid reversible jaws
- Each set of jaws furnished with mounting bolts (M18) and wrench
- Sold in 4-piece sets



Jaw Size (Inch)	A (Inch)	C (Inch)	D (Inch)	E (Inch)	G (Inch)	H (Inch)	J (Inch)	L (Inch)	P (Inch)	S (Inch)	Weight (lbs)	Code
6	6	5.12	6.5	1.34	0.5	1.575	10.25	8	5	0.5551	149	355983
8	8	5.5	7	1.5	0.85	2.047	12.2	10	6	0.669	205	355984