

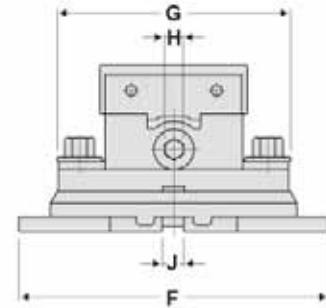
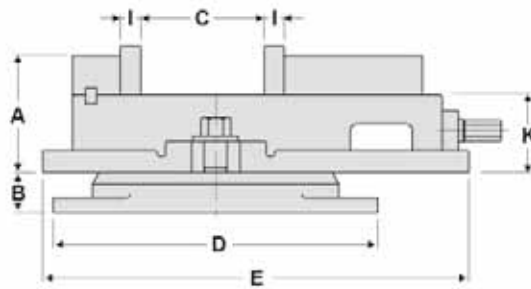
## Precision Angle Lock Machine Visas

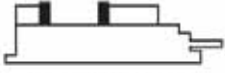





HAV



6" Super Open 8"



Model				
	Clamping Range (mm/Inch)	Clamping Range (mm/Inch)	Clamping Range (mm/Inch)	Clamping Range (mm/Inch)
HAV-4"	107/4.09	154/6.06	220/8.66	271/10.67
HAV-5"	110/4.33	163/6.42	249/9.80	304/11.97
HAV-8"	198/7.80	264/10.39	402/15.83	476/18.74
HAV-12"	320/12.60	400/15.75	480/18.90	560/22.05
6" SUPER OPEN 8"	190/7.48	263/10.35	349/13.74	413/16.26

- Material: FCD 55 ductile iron; Hardness: 45 HRC
- Two set screws in the fixed jaw ensure that jaws do not tilt backwards when high clamping force is applied
- Iron leadscrew cover protects vise internals from contamination
- Both sides of slideways are heat treated for durability
- Angle lock mechanism creates downward pressure on jaw ensuring both jaws are parallel during clamping
- Needle bearing thrust collar cuts friction and increases clamping pressure by 80%

Model	A (mm/Inch)	B (mm/Inch)	C (mm/Inch)	D (mm/Inch)	E (mm/Inch)	F (mm/Inch)	G (mm/Inch)	H (mm/Inch)	I (mm/Inch)	J (mm/Inch)	K (mm/Inch)	Weight (kg)	Code
HAV-4"	87/3.43	30/1.18	107/4.09	242/9.53	318/12.52	230/9.06	172/6.77	14/0.55	15/0.59	16/0.63	58/2.28	20	277020
HAV-5"	98/3.86	32/1.26	110/4.33	280/11.02	355/13.98	256/10.00	210/8.27	15/0.59	15/0.59	16/0.63	66/2.60	29	277022
HAV-8"	136/5.35	55/2.17	198/7.80	422/16.61	555/21.85	380/14.96	305/12.00	19/0.75	24/0.94	18/0.71	84/3.31	80	277024
HAV-12"	219/8.62	-	320/12.60	-	738/29.06	-	408/16.06	19/0.75	24/0.94	-	102/4.02	125	277026
6" SUPER OPEN 8"	114/4.49	42/1.65	198/7.80	336/13.23	433/17.05	300/11.81	238/9.37	19/0.75	18/0.71	18/0.71	75/2.95	50	277027