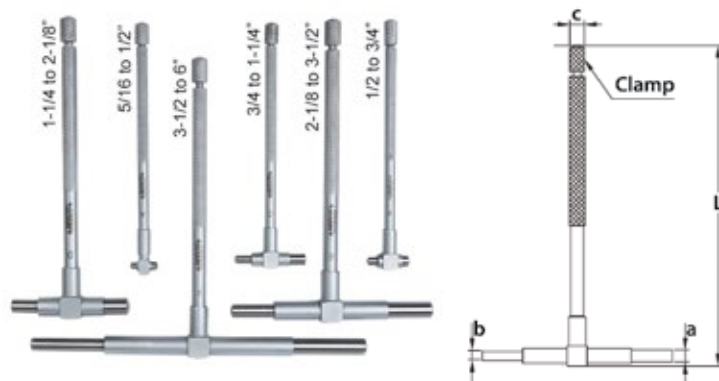
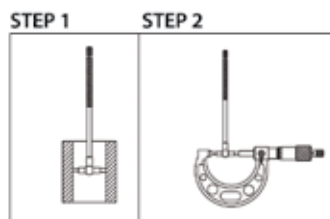


Telescoping Gage Set



- For quick measurement of inside diameter of holes and width of slots
- Satin chrome finish
- Supplied in storage pouch



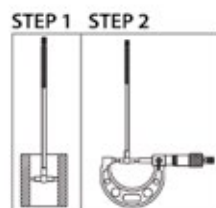
6 Gages per Set				
Range (Inch)	L (Inch)	Øa (Inch)	Øb (Inch)	Øc (Inch)
5/16 to 1/2	4.528	0.154	0.114	0.244
1/2 to 3/4	4.528	0.209	0.150	0.244
3/4 to 1-1/4	4.528	0.209	0.150	0.244
1-1/4 to 2-1/8	5.394	0.299	0.240	0.283
2-1/8 to 3-1/2	5.394	0.299	0.240	0.283
3-1/2 to 6	5.394	0.299	0.240	0.283

Range (Inch)	INSIZE No.	Code
5/16 to 6 (6pcs)	4206-1	816202

Long Handle Telescoping Gages

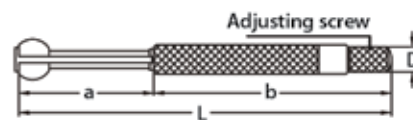
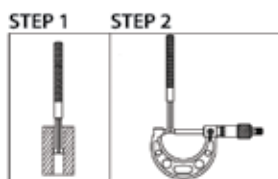


- For quick measurement of inside diameter of deep holes and width of slots
- Satin chrome finish
- Supplied in storage pouch



Range (Inch)	L (Inch)	Øa (Inch)	Øb (Inch)	Øc (Inch)	INSIZE No.	Code
5/16 to 1/2	9.843	0.154	0.114	0.244	4209-1	283589
1/2 to 3/4	9.843	0.209	0.150	0.244	4209-2	283590
3/4 to 1-1/4	9.843	0.209	0.150	0.244	4209-3	283591
1-1/4 to 2-1/8	11.811	0.299	0.240	0.283	4209-4	283592
2-1/8 to 3-1/2	11.811	0.299	0.240	0.283	4209-5	283593
3-1/2 to 6	11.811	0.299	0.240	0.283	4209-6	283594

Small Hole Gage Set



4 Gages per Set				
Range (Inch)	L (Inch)	a (Inch)	b (Inch)	ØD (Inch)
0.125-0.2	2.992	0.945	2.047	0.197
0.2-0.3	3.110	1.063	2.047	0.197
0.3-0.4	3.465	1.181	2.283	0.236
0.4-0.5	3.583	1.339	2.283	0.236

- For small holes, slots, grooves, etc.
- Satin chrome finish
- Supplied in storage pouch

Range (Inch)	INSIZE No.	Code
0.125 to 0.5 (4pcs)	4208-1	816204