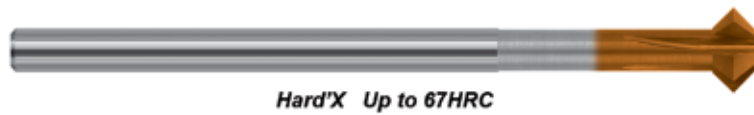


# Chamfering Biconical Cutters - Front and Back

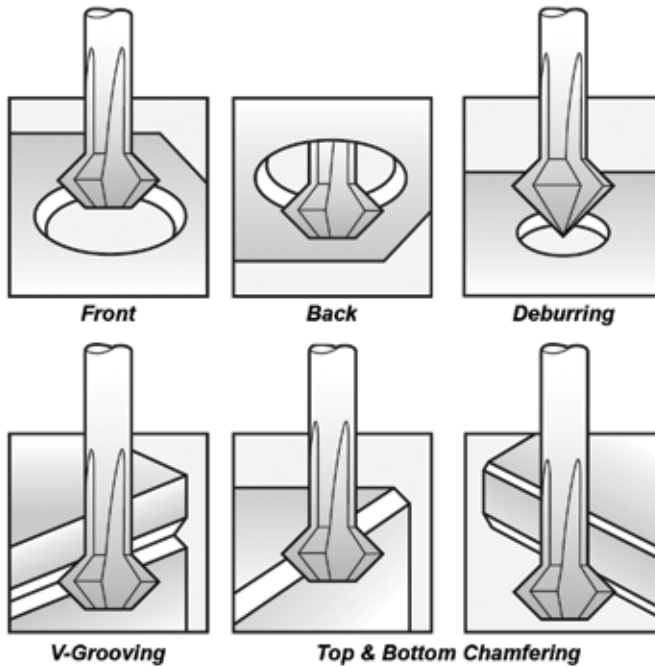
## K15 Carbide



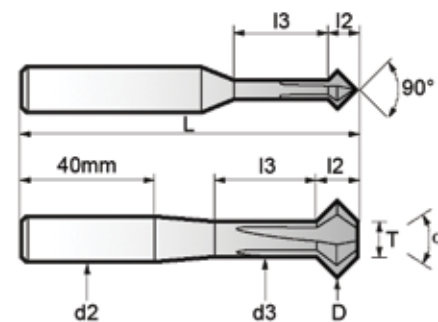
**Bi-Face:** For superior finish operations, Bi-Face has a constant relieved profile. Longitudinal or interpolated work for front and back chamfering of edges and holes.



**Hard'X:** AlTiN carbide tool coating with a high hardness of 3500 HV. This coating shows high thermic stability and excellent protection against heat and wear. Ideal for dry machining - high speed cut - in treated steels and dies up to 67 HRC.



Tolerances			
D	Tolerance	L	Angle
0.04 - 0.197	0 - 0.002	± 0.04	±1°
0.236 - 0.63	0 - 0.004	± 0.04	±1°



- Special design equals positive cut plus relieving profile
- Unequalled surface finish
- Impressive performance
- Extended tools profile life

### Miniature 3-Flute Bi-Face 90° Angle - Series 8480

Diameter (Inch)	Diameter (mm)	d2 (Inch)	d3 Max. (Inch)	T Max. (Inch)	L Min. (Inch)	I2 (Inch)	I3 (Inch)	Code
0.04	1	0.118	0.028	0.012	2-3/8	0.02	0.197	314174
0.059	1.5	0.118	0.043	0.018	2-3/8	0.029	0.236	314177
0.079	2	0.118	0.059	0.024	2-3/8	0.037	0.315	314180
0.118	3	0.118	0.087	0.035	2-3/8	0.059	0.394	314183

### Miniature 3-Flute Hard-X 90° Angle - Series 8480-H

Diameter (Inch)	Diameter (mm)	d2 (Inch)	d3 Max. (Inch)	T Max. (Inch)	L Min. (Inch)	I2 (Inch)	I3 (Inch)	Code
0.04	1	0.118	0.028	0.012	2-3/8	0.02	0.197	314186
0.059	1.5	0.118	0.043	0.018	2-3/8	0.029	0.236	314189
0.079	2	0.118	0.059	0.024	2-3/8	0.037	0.315	314192
0.118	3	0.118	0.087	0.035	2-3/8	0.059	0.394	314195