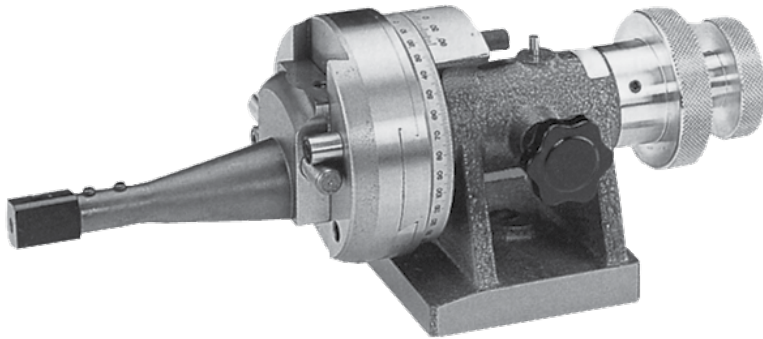
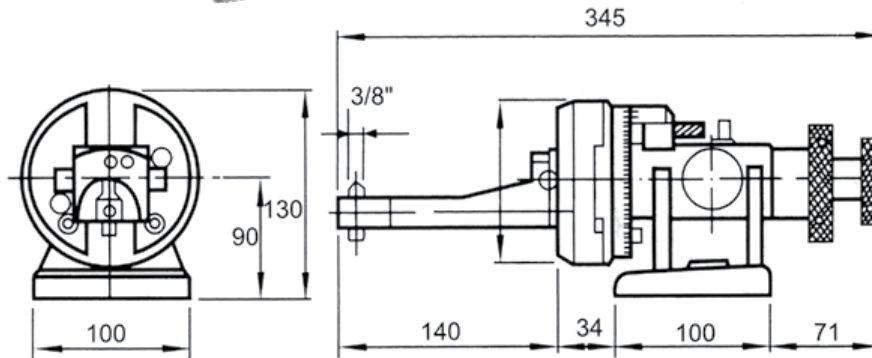


Radius & Angle Dresser



Grinding Wheel Dressing Applications



Maximum Diameter of Wheel (Inch)	Convex Radius (Inch)	Concave Radius (Inch)	Tangent Travel Either Side of Center (Inch/mm)	Range of Angle Dressing	Code
10	0-1.18	0.02-1.18	1.18/30	95°-0°-95°	395912

Wheel Dresser & Replacement Cutters

- Used for reconditioning grinding wheels and removing embedded metal particles which stick to the wheel during grinding operations
- Cutters are made of alloy steel
- Heat treated and tempered



Complete Tool



Cutter Set

No. of Cutters	Cutter Size Diameter x Bore x Width (Inch)	For Wheel Diameters up to... (Inch)	Code	No. of Cutters	Cutter Size Diameter x Bore x Width (Inch)	For Wheel Diameters up to... (Inch)	Code
4	1-3/16 x 1/4 x 7/16	20	425551	4	1-3/16 x 1/4 x 7/16	20	425555
4	1-1/2 x 1/2 x 15/32	30	425552	4	1-1/2 x 1/2 x 15/32	30	425556
6	2-3/8 x 9/16 x 7/8	>30	425553	6	2-3/8 x 9/16 x 7/8	>30	425557