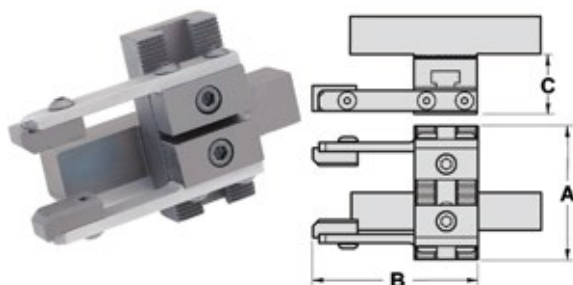




CNC Bar Pullers

Compact CNC Bar Pullers

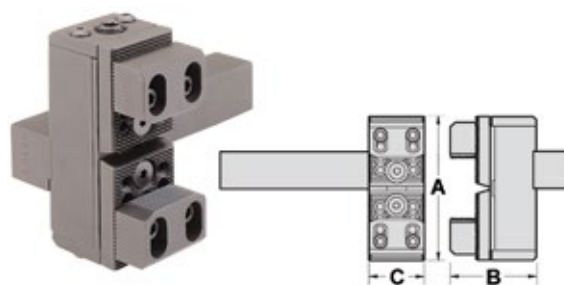


- Great for use with small CNC lathes - compact design minimizes tool interference
- Very easy to setup and use
- Unit can pull round, square, and hex stock
- Flexible heat-treated steel fingers provide strong gripping force
- Each compact bar puller includes one set of serrated jaws and one blank spindle bushing

Order insert holder and insert separately. Additional sizes and shank styles are available. Please contact your KAR distributor for information.

Shank Size (Inch)	Gripping Range (Inch)	A (Inch)	B (Inch)	C (Inch)	Code
1/2 sq.	1/8 – 1-5/8	2-1/8	3-1/4	1-3/16	217050
3/4 sq.	1/8 – 2-1/4	2-5/8	3-1/4	1-3/16	217051
1 sq.	1/8 – 2-1/4	2-5/8	3-1/4	1-3/16	217052
1 sq.	1/8 – 3	3-5/8	3-1/4	1-3/16	217053

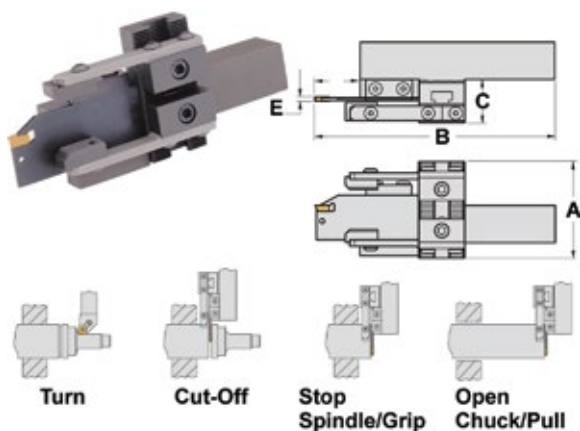
Heavy Duty CNC Bar Pullers



- Gripping range from 1/8" to 6-1/2" (extra capacity jaws sold separately)
- Gripping force is easily adjusted by altering spring pressure
- Jaws have two gripping surfaces: one side is serrated for increased gripping power, the other side is smooth to help prevent marking
- Smooth side is also used when pulling small diameter stock
- Very easy to set up and use
- Each unit comes with one set of standard jaws and one blank spindle bushing

Shank Size (Inch)	Gripping Range		A (Inch)	B (Inch)	C (Inch)	Code
	Standard Jaws (Inch)	Extra Capacity Jaws (Inch)				
3/4 sq.	1/8 – 2-1/4	1-7/8 – 3-3/4	3-7/8	2-9/16	1-1/2	217058
1 sq.	1/8 – 2-1/4	1-7/8 – 3-3/4	3-7/8	2-9/16	1-1/2	217059
1 sq.	1/8 – 3-1/2	1-7/8 – 5-3/8	4-3/4	2-9/16	1-1/2	217060
1 sq.	1/8 – 3-5/8	1-7/8 – 5-1/2	5	2-3/4	1-3/4	217061
1 sq.	1/8 – 4-7/8	1-7/8 – 6-1/2	6-3/4	2-3/4	1-3/4	217062

Combination CNC Cut-Off/Bar Pullers



- Combination bar puller/cut-off tool saves a turret station by combining two tools into one
- Benefits include reduced indexing, reduced set-up time, and reduced cycle time
- Compact design - good for all CNC machines where tool interference is a problem
- Gripping range from 1/8" to 2-1/4"
- Flexible heat-treated steel fingers provide strong gripping force
- Unit easily handles round, square, and hex stock
- Very easy to set up and use
- Includes bar puller, one set of standard jaws and one blank spindle bushing

Order holder and insert separately

Shank Size (Inch)	Gripping Range (Inch)	A (Inch)	B (Inch)	C (Inch)	D (Inch)	E (Inch)	Code
3/4 sq.	1/8 – 2-1/4	2-5/8	4-3/4	1-3/16	7/8	0.125	217054
1 sq.	1/8 – 2-1/4	2-5/8	6-3/8	1-3/16	1-1/4	0.125	217055

Part-Off Blade & Insert



Bar puller accepts many popular brands of holders – must be slightly modified

Bar Puller Shank Size (Inch)	Code
1/2 or 3/4	217056
1	217057