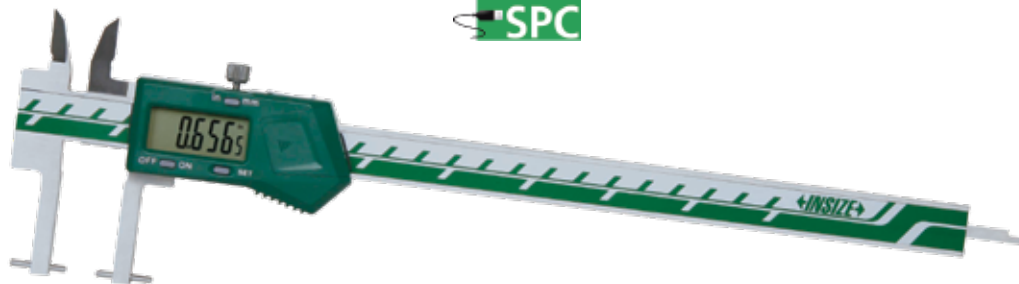


Electronic Caliper

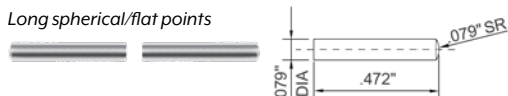
Interchangeable Points



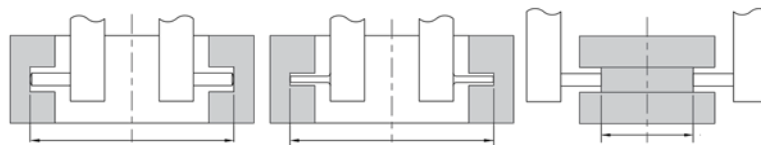
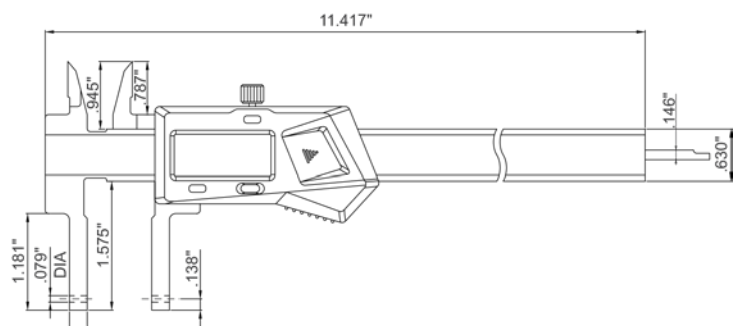
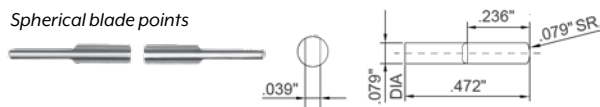
Short spherical points



Long spherical/flat points



Spherical blade points



Spherical points for groove (inside hole) measurement

Spherical blade points for narrow groove (inside hole) measurement

Flat points for external groove measurement

- Supplied with 3 pairs of points and a zero setting block for external measurement
- Resolution: 0.0005"/0.01mm
- Buttons: on/off, set, inch/mm, preset (+, -)
- Auto power off, move unit to turn on
- Battery CR2032
- Stainless steel
- Data output
- Supplied in fitted storage case

OPTIONAL ACCESSORIES: SPC cable, Point Sleeve, and Depth Stop

Points	Range (Inch/mm)	Accuracy (Inch)	Application	INSIZE No.	Code
Short spherical	0.5-8.5/12-212 (Internal)	±0.0015	Spherical points for grooves inside small holes		
Long spherical/flat	1-8.8/24-224 (Internal) 0-7.5/0-187 (External)	±0.0015	Spherical points for grooves inside holes, flat points for external grooves	1526-200	816620
Spherical blade	1-8.8/24-224 (Internal) 0-7.5/0-187 (External)	±0.0015	For narrow grooves inside holes		