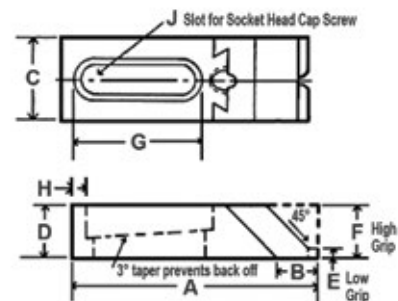




Standard Toe Clamps

Low & High Grip Steel Toes



- Powerful clamps that grip on the side of the work leaving the top surface open
- Hardened for maximum wear
- Black oxide finish
- Each clamp is supplied with a protective washer
- Conforms to TCMAI standards

NOTE:

- Clamps slotted for 1/2" SHCS will accept M12 SHCS
- Clamps slotted for 5/8" SHCS will accept M16 SHCS
- Small toe clamps can be anchored with 5/16" or M8 SHCS

Low Grip Steel Toes

A (Inch)	B (Inch)	C (Inch)	D (Inch)	E (Inch)	G (Inch)	H (Inch)	J (Inch)	Slotted for 1/2" SHCS	Slotted for 5/8" SHCS
								Code	Code
4-1/16	13/16	1-1/2	7/8	1/4	2	1/8	1/2 or 5/8	217250	217253
5-1/2	13/16	1-1/2	7/8	1/4	2-3/4	1/2	1/2 or 5/8	217251	217254
7-7/16	13/16	1-1/2	7/8	1/4	3-3/4	1	1/2 or 5/8	217252	217255

High Grip Steel Toes

A (Inch)	B (Inch)	C (Inch)	D (Inch)	E (Inch)	G (Inch)	H (Inch)	J (Inch)	Slotted for 1/2" SHCS	Slotted for 5/8" SHCS
								Code	Code
4-1/16	13/16	1-1/2	7/8	1/4	2	1/8	1/2 or 5/8	217262	217265
5-1/2	13/16	1-1/2	7/8	1/4	2-3/4	1/2	1/2 or 5/8	217263	217266
7-7/16	13/16	1-1/2	7/8	1/4	3-3/4	1	1/2 or 5/8	217264	217267