

Live Centers



High Speed Steel – Main Line | Types N, V, L, A, D-AN (continued)

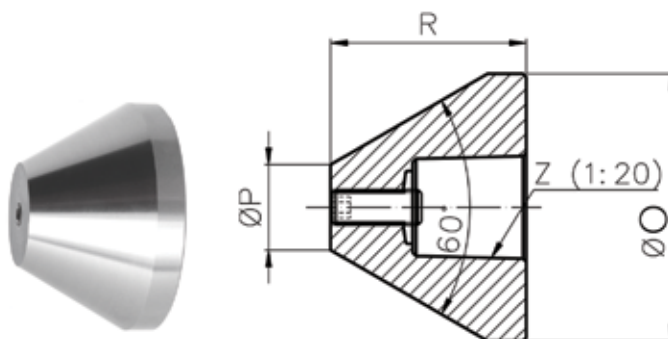
Type A – Morse Taper Point



For body dimensions see Main-Line: Type N

Morse Taper	Model	Shank Dimensions (Inch)		Code	Morse Taper	Model	Shank Dimensions (Inch)		Code
MT1	1 ST	Z1	0.47 x 0.59	100201	5	5 ST	Z3	1.42 x 1.38	100205
MT2	2 SU	Z2	0.94 x 1.18	100212	5	5 SU	Z3	1.42 x 1.38	100215
MT3	3 ST	Z2	0.94 x 1.18	100203	6	6 ST	Z3	1.42 x 1.38	100206
MT3	3 SU	Z2	0.94 x 1.18	100213	6	6 SU	Z4	1.97 x 1.89	100216
MT4	4 ST	Z2	0.94 x 1.18	100204	7	7 SU	Z4	1.97 x 1.89	100217
MT4	4 SU	Z3	1.42 x 1.38	100214					

Cones for Type A Morse Taper Point



Suitable for...	Shank Dimensions (Inch)		ØO (Inch)	ØP (Inch)	R (Inch)	Code
MT1 ST	Z1	0.47 x 0.59	1.97	0.79	1.38	100421
MT2 SU - MT4 ST	Z2	0.94 x 1.18	2.95	0.94	2.17	100432
MT2 SU - MT4 ST	Z2	0.94 x 1.18	3.94	1.77	2.36	100441
MT2 SU - MT4 ST	Z2	0.94 x 1.18	5.91	2.76	3.15	100452
MT4 SU - MT6 ST	Z3	1.42 x 1.38	3.94	1.77	2.36	100442
MT4 SU - MT6 ST	Z3	1.42 x 1.38	5.91	2.76	3.15	100461
MT4 SU - MT6 ST	Z3	1.42 x 1.38	7.87	4.33	3.54	100481
MT6 SU - MT7SU	Z4	1.97 x 1.77	4.72	1.77	2.95	100451
MT6 SU - MT7SU	Z4	1.97 x 1.77	5.91	2.76	3.15	100462
MT6 SU - MT7SU	Z4	1.97 x 1.77	7.87	4.33	3.54	100482