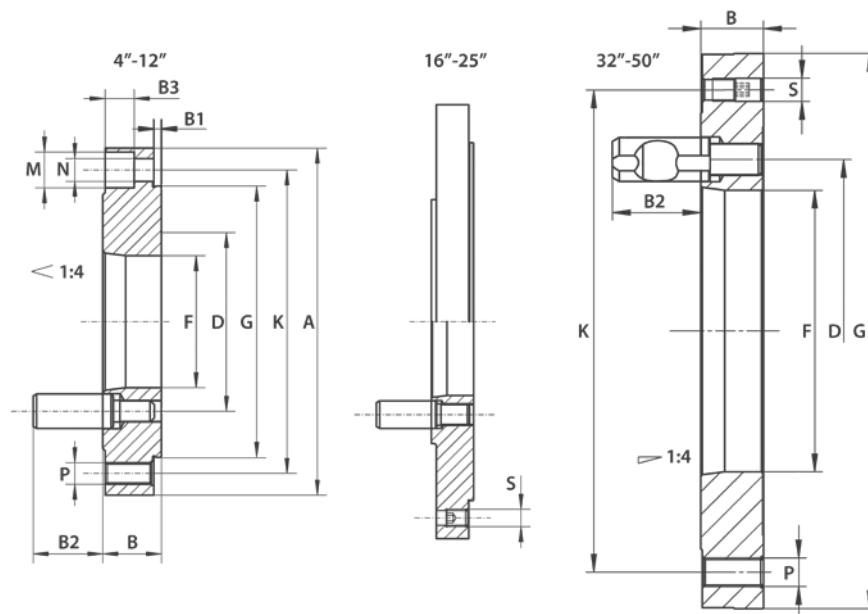


Lathe Chuck Accessories

For Bison Lathe Chucks



Back Plates – Fully Machined



Type D – Series 8240-X

Ø Chuck (Inch)	Taper Size	A (Inch)	B (Inch)	B1 (Inch)	B2 (Inch)	D (Inch)	F (Inch)	G h6 (Inch)	K (Inch)	M (Inch)	N (Inch)	P (Inch)	S (Inch)	Weight (lbs)	Code
5	3	4.92	1.02	0.14	1.21	2.78	2.02	3.74	4.25	3 x 0.53	3 x 0.33	6 x 5/16-18	-	3.53	355565
5	4	4.92	1.02	0.14	1.27	3.25	2.36	3.74	4.25	3 x 0.53	3 x 0.33	6 x 5/16-18	-	3.53	355566
6	4	6.30	1.06	0.14	1.27	3.25	2.36	4.92	5.51	3 x 0.53	3 x 0.33	6 x 3/8-16	-	6.39	355568
6	5	6.30	1.18	0.14	1.50	4.13	3.13	4.92	5.51	3 x 0.53	3 x 0.33	6 x 3/8-16	-	6.61	355569
6	6	6.61	1.43	0.13	-	5.25	4.05	4.92	5.51	3 x M10	6 x 0.413	-	-	4.10	355570
8	3	7.87	1.06	0.14	1.21	2.78	2.02	6.30	6.93	6 x 0.65	6 x 0.41	6 x 3/8-16	-	11.02	355571
8	4	7.87	1.06	0.14	1.29	3.25	2.36	6.30	6.93	6 x 0.65	6 x 0.41	6 x 3/8-16	-	10.80	355572
8	5	7.87	1.18	0.14	1.50	4.13	3.13	6.30	6.93	6 x 0.65	6 x 0.41	6 x 3/8-16	-	10.58	355573
8	6	7.87	1.44	0.14	1.74	5.25	4.06	6.30	6.93	6 x 0.65	6 x 0.41	6 x 3/8-16	-	13.01	355574
10	5	9.84	1.18	0.18	1.50	4.13	3.13	7.87	8.82	6 x 0.75	6 x 0.51	6 x 1/2-13	-	18.96	355575
10	6	9.84	1.44	0.18	1.74	5.25	4.06	7.87	8.82	6 x 0.75	6 x 0.51	6 x 1/2-13	-	19.18	355576
10	8	9.84	1.54	0.18	2.00	6.75	5.36	7.87	8.82	6 x 0.75	6 x 0.51	6 x 1/2-13	-	20.72	355577
12	6	12.40	1.54	0.18	1.74	5.25	4.06	10.24	11.26	6 x 0.98	6 x 0.67	6 x 5/8-11	-	38.36	355578
12	8	12.40	1.54	0.18	2.00	6.75	5.36	10.24	11.26	6 x 0.98	6 x 0.67	6 x 5/8-11	-	35.05	355579
12	11	12.40	1.85	0.18	2.39	9.25	7.59	10.24	11.26	6 x 0.98	6 x 0.67	6 x 5/8-11	-	35.94	355580
16	8	15.74	1.53	0.17	-	5.25	4.05	15.74	14.25	3 x M16	6 x 0.669	-	-	62.10	355581
16	8	15.75	1.54	0.18	2.00	6.75	5.36	12.77	14.25	6 x 0.98	6 x 0.67	6 x 5/8-11	3 x 5/8-16	60.41	355582
16	11	15.75	1.85	0.18	2.39	9.25	7.59	12.77	14.25	6 x 0.98	6 x 0.67	6 x 5/8-11	3 x 5/8-16	60.41	355583
20	8	19.69	1.54	0.18	2.00	6.75	5.36	16.54	18.03	6 x 0.98	6 x 0.67	6 x 5/8-11	3 x 5/8-16	100.09	355584
20	11	19.69	1.85	0.18	2.39	9.25	7.59	16.54	18.03	6 x 0.98	6 x 0.67	6 x 5/8-11	3 x 5/8-16	98.11	355585
25	11	24.80	1.85	0.24	2.39	9.25	7.59	21.46	23.07	6 x 0.98	6 x 0.67	6 x 5/8-11	3 x 5/8-16	164.24	355587