

## Independent Lathe Chucks

Steel – 2-Piece Jaws – 4-Jaw Independent

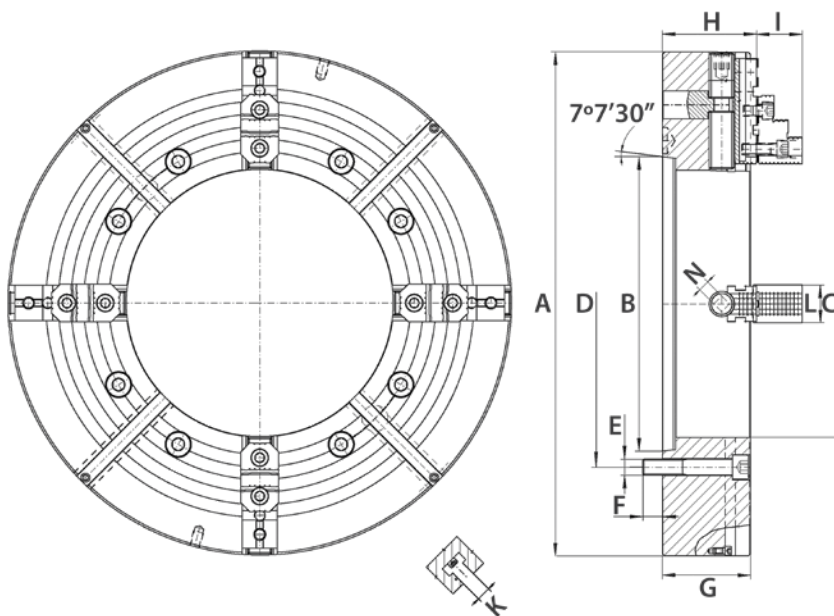


Oil Country Chucks – Type A – Series 4317 HD

- Steel
- With large through-hole designed for gripping long and heavy work pieces or pipes during heavy duty (HD) machining
- High gripping force
- High accuracy
- Heavy duty operations
- Chucks can work individually or in pairs, mounted on opposite sides of the lathe spindle

**Standard Accessories:**

- 1 set of hard top jaws
- 1 set of hard master jaws
- 1 wrench



Clamping Ranges

Chuck Diameter (Inch)	Clamping Range (Inch)	Torque on Wrench (lb/ft)	Gripping Force per Jaw (lbf)
19.69	1.77 - 19.69	259	7,190
24.80	1.97 - 24.80	296	8,320
24.80	3.94 - 24.80	296	8,320
27.95	2.95 - 27.95	331	9,217
27.95	3.94 - 27.95	331	9,217
31.50	2.95 - 31.50	331	9,217
31.50	4.53 - 31.50	331	9,217

A (Inch)	Taper Size	B (Inch)	C (Inch)	D (Inch)	E	F (Inch)	G (Inch)	H (Inch)	I (Inch)	K (Inch)	L (Inch)	N (Inch)	Max RPM	Weight (lbs)	Code
19.69	15	11.25	8.07	13.00	8 x M24	1.24	5.71	6.07	2.98	0.87	2.36	0.75	1,000	414	355309
24.80	15	11.25	10.63	13.00	8 x M24	1.34	6.10	6.58	3.57	0.87	2.95	0.87	850	683	355310
24.80	20	16.25	12.60	18.25	8 x M24	1.50	6.10	6.58	3.57	0.87	2.95	0.87	850	661	355311
27.95	15	11.25	10.63	13.00	8 x M24	1.34	6.10	6.58	3.57	0.87	2.95	0.87	750	914	355312
27.95	20	16.25	12.60	18.25	8 x M24	1.50	6.10	6.58	3.57	0.87	2.95	0.87	750	870	355313
31.50	15	11.25	10.63	13.00	8 x M24	1.34	6.50	6.97	3.57	0.87	2.95	0.87	600	1,289	355314
31.50	20	16.25	12.60	18.25	8 x M24	1.50	6.50	6.97	3.57	0.87	2.95	0.87	600	1,245	355315