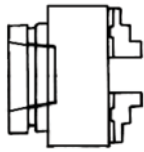


Lathe Chucks



Semi-Steel/Steel Body - 4-Jaw Independent Chucks

Long Taper L - Series 4354 - Semi Steel

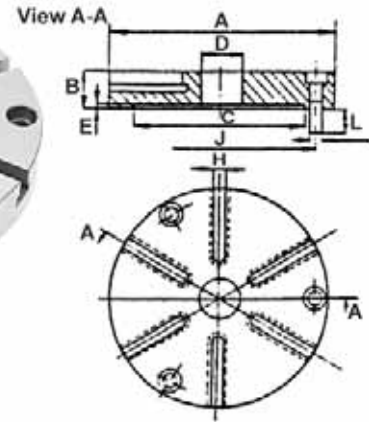


Series 4354
Long Taper

Chuck Diameter (Inch)	Hole Diameter (Inch)	Spindle Type	Approximate Weight (lbs)	Code
8	1.9685	L00	32.0	355261
8	1.9685	L0	32.0	355262
10	2.5591	L00	55.1	355263
10	2.5591	L0	55.1	355264
10	2.5591	L1	55.1	355265
12	3.1496	L0	88.1	355266
12	3.1496	L1	88.1	355267
12	3.1496	L2	88.1	355268
16	3.9370	L1	140.0	355269
16	3.9370	L2	140.0	355270
20	4.9213	L2	233.0	355271

Face Plates

- Face plates are designed for use with BISON adapters
- May also be mounted on any lathe spindle nose
- Includes 3 mounting bolts (M)



A (Inch)	B (Inch)	C (Inch)	D (Inch)	E +0.008 (Inch)	M Mounting Bolts	L (Inch)	H (Inch)	J +0.008 (Inch)	Weight (lbs)	Code
6-1/4	1.18	4.921	1.18	0.157	M10 x 1.5	0.59	3/8	5.512	7.5	355272
8	1.38	6.299	1.57	0.197	M10 x 1.5	0.59	1/2	6.929	12.0	355273
12-1/2	1.97	10.236	1.97	0.197	M16 x 2	1.02	5/8	11.260	39.0	355274