

Oil Country Lathe Chucks & Accessories

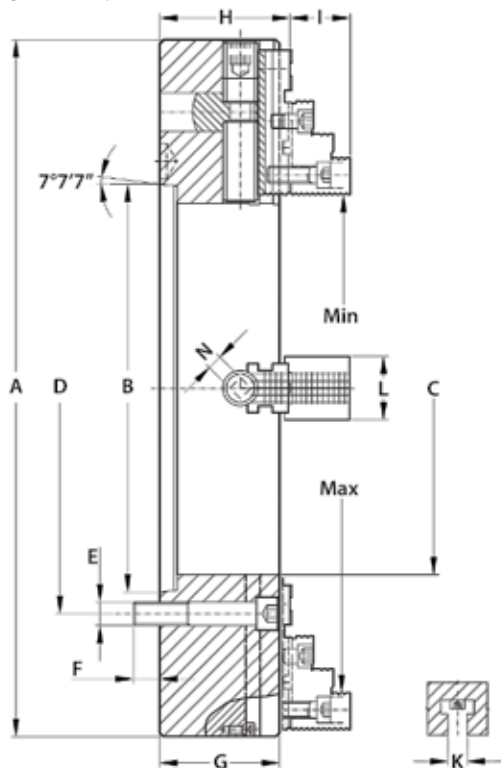
PEI Series – Forged Steel Body – Large Through Hole – 4-Jaw Independent Chucks

Heavy Duty Serrated Jaws

- Extra heavy duty
- ANSI standard tongue and groove jaws
- Critical chuck surfaces are precision ground and heat treated
- Extra heavy duty master jaws and top jaws provided with heavy duty serration for safe and superior gripping power
- Extra heavy duty operating screws and thrust bearings
- A2 mounts supplied
- Induction hardened guide ways and through hole
- High accuracy



Heavy Duty Serrated Jaws



Specifications

Chuck Dia. (Inch)	Spindle Nose	Top Jaw Mounting Bolts	Operating Screw Thread	Clamping Capacity Min-Max
20	A2-11	3/4-10	Tr 44x8 LH	1.77 - 19.68
20	A2-15	3/4-10	Tr 44x8 LH	1.77 - 19.68
25	A2-15	7/8-9	Tr 50x8 LH	1.97 - 24.80
25	A2-20	7/8-9	Tr 50x8 LH	7.09 - 24.80
28	A2-15	7/8-9	Tr 50x8 LH	2.95 - 27.95
28	A2-20	7/8-9	Tr 50x8 LH	7.09 - 24.80
32	A2-15	7/8-9	Tr 50x8 LH	5.12 - 31.50
32	A2-20	7/8-9	Tr 50x8 LH	7.09 - 31.50
40	A2-28	7/8-9	Tr 50x8 LH	13.73 - 39.40

Type A2 Mounting

Chuck Dia. (Inch)	C Through Hole (Inch)	Spindle Nose Size	B (Inch)	D (Inch)	G (Inch)	H (Inch)	I (Inch)	K (Inch)	L (Inch)	N (Inch)	E	F (Inch)	RPM Maximum	Weight (lbs)	Code
20	6.50	A2-11	7.75	9.25	5.71	6.07	2.98	0.87	2.36	0.75	M20 x 2.5	1.12	1000	450	410086
20	8.00	A2-15	11.25	13.00	5.71	6.07	2.98	0.87	2.36	0.75	M24 x 3.0	1.34	1000	414	410087
25	10.50	A2-15	11.25	13.00	6.10	6.07	3.57	0.87	2.96	0.87	M24 x 3.0	1.34	850	682	410088
25	12.55	A2-20	16.25	18.25	6.10	6.58	3.57	0.87	2.95	0.87	M24 x 3.0	1.50	850	649	410089
28	10.50	A2-15	11.25	13.00	6.10	6.58	3.57	0.87	2.95	0.87	M24 x 3.0	1.34	750	913	410090
28	12.55	A2-20	16.25	18.25	6.10	6.58	3.57	0.87	2.95	0.87	M24 x 3.0	1.50	750	869	410091
32	10.50	A2-15	11.25	13.00	6.50	6.97	3.57	0.87	2.95	0.87	M24 x 3.0	1.34	600	1287	410092
32	12.55	A2-20	16.25	18.25	6.50	6.97	3.57	0.87	2.95	0.87	M24 x 3.0	1.50	600	1243	410093
40	20.86	A2-28	23.00	25.50	6.89	7.37	3.57	1.10	2.95	0.87	M30 x 3.5	1.53	430	1683	410094

LATHE CHUCKS & ACCESSORIES