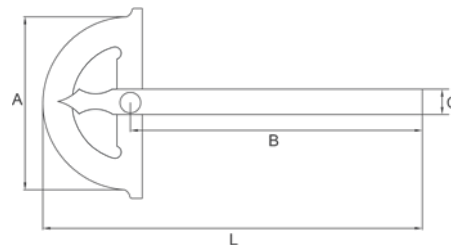


## Protractor



- Graduations: 1°
- Accuracy: ±0.3°
- Stainless steel with satin chrome plated scale
- With locking screw
- Supplied in storage case



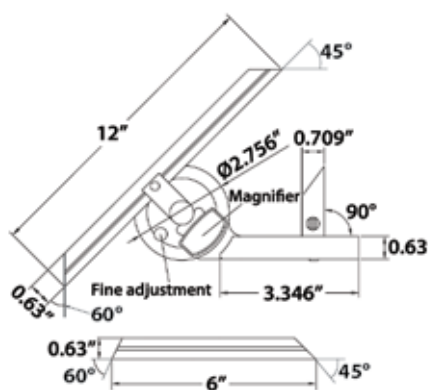
Range	L (Inch)	A (Inch)	B (Inch)	C (Inch)	INSIZE No.	Code
0-180°	8.661	4.7	5.9	0.551	4799-1120	283330

## Universal Protractor



- Graduation: 5'
- Accuracy: ±5'
- Parallax-free reading
- Two blades: 6" and 12"
- Stainless steel
- Supplied in fitted storage case

OPTIONAL ACCESSORY:  
Clamp 284912 (2372-CLAMP)  
for Height Gages – INSIZE series  
1156, 1250 and 1351



Clamp for Height Gages  
sold separately

Protractor

Clamp for Height Gage

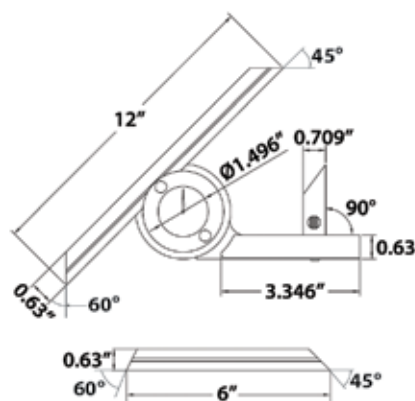
Range	INSIZE No.	Code	INSIZE No.	Code
0-360°	2372-360	283341	2372-CLAMP	284912

## Dial Protractor



- Graduation: 5'
- Accuracy: ±5'
- Two blades: 6" and 12"
- Stainless steel
- Supplied in fitted storage case

OPTIONAL ACCESSORY:  
Clamp 284912 (2372-CLAMP)  
for Height Gages – INSIZE series  
1156, 1250 and 1351



Clamp for Height Gages  
sold separately

Protractor

Clamp for Height Gage

Range	INSIZE No.	Code	INSIZE No.	Code
0-360°	2373-360	283342	2372-CLAMP	284912