

Magnetic Stands

With Dual Stems

- For electronic/dial indicators and dial test indicators



816250



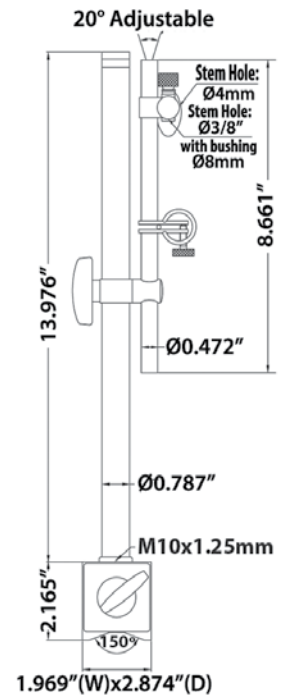
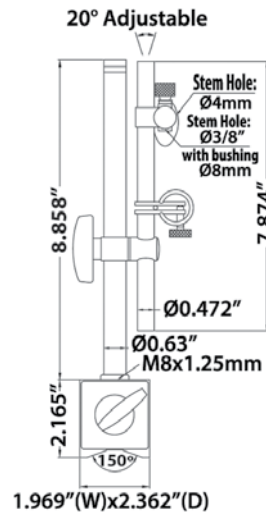
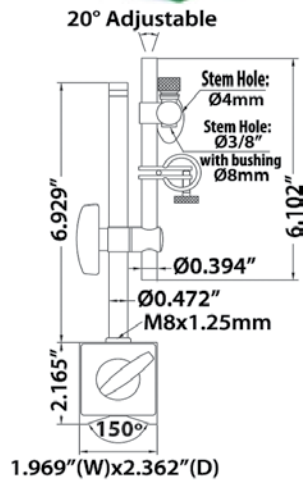
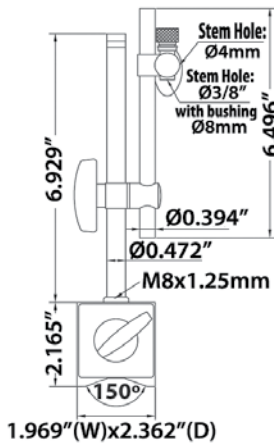
816252



282886



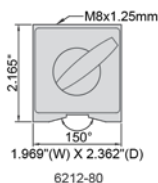
816254



MAGNETIC STANDS

Magnetic Force (lbf/kgf)	Applicable Holding Stem Diameters	Fine Adjustment	INSIZE No.	Code
132/60	3/8", 8mm, 4mm	No	6200-60	816250
132/60	3/8", 8mm, 4mm	Yes	6201-60	816252
176/80	3/8", 8mm, 4mm	Yes	6202-80	282886
220/100	3/8", 8mm, 4mm	Yes	6202-100	816254

Magnetic Base



Magnetic Force (lbf/kgf)	INSIZE No.	Code
176/80	6212-80	877380