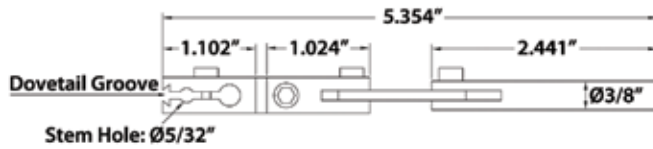


Dial Test Indicator Holders



- Supplied with hex key

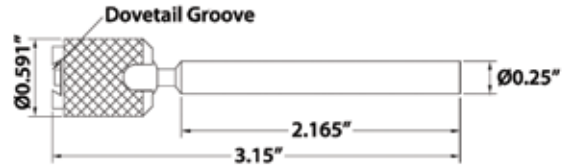


INSIZE No.	Code
6296-2	877030

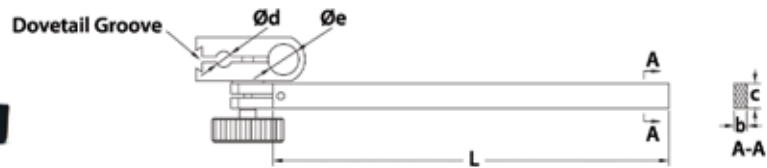
Universal



- Set the indicator at a desired position



INSIZE No.	Code
6293-5	282880

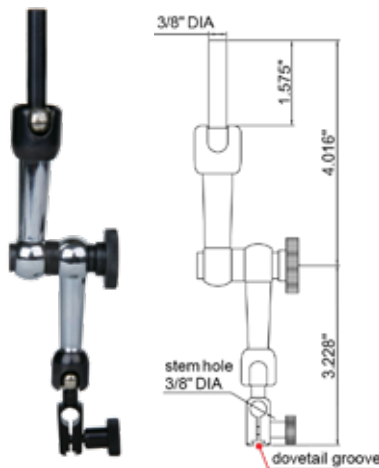


L Stem Length (Inch)	b (Inch)	c (Inch)	Ød Stem Hole (Inch)	Øe Stem Hole (Inch)	INSIZE No.	Code
2	0.354	0.354	5/32	3/8	6293-7	816416
4	0.25	0.5	5/32	3/8	6293-3	282878

Dial Test Indicator Centering Holders



- Center cylinders or holes on machine tools



INSIZE No.	Code
6295-IAE	284452



INSIZE No.	Code
6291-2	282875