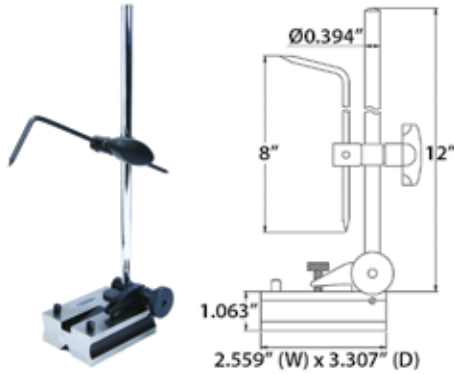
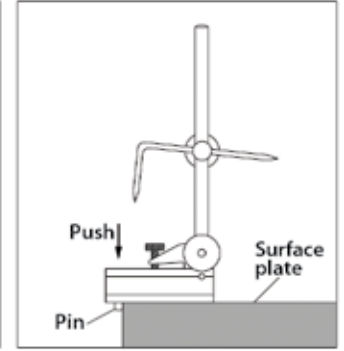
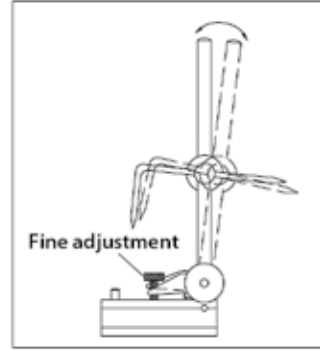


Surface Scriber Block



- Grooved bottom for cylinder
- Two pins to be set against the edge of the surface plate



Base (Inch)	INSIZE No.	Code
1.063 x 2.559 x 3.307	6990-300A	283971

Telescoping Magnetic Pick-Up



- Pick up metal parts from hidden areas
- Rotation of the magnetic head: 360°
- Length of handle is adjustable
- Handle made of brass and chrome plated



Magnetic Tip (Inch)	Magnetic Force	Length (Inch)	INSIZE No.	Code
Ø0.236	0.99lbf	7.008-22.913	7161-1	877206

Machinist's Scribes



Tip Style	Code
4-1/2	460061
7-1/2	460062
7-1/2	460063
7-1/2	460064
7	460065
4	460066
6-3/4	460067
10	460068

Machinist's Tool Set



Description	Individual	3-Piece Set
	Code	Code
Scriber	455501	455505
Center punch	455502	
Magnetic pick-up	455503	

PUNCH FORMERS, PUNCHES & SCRIBERS