



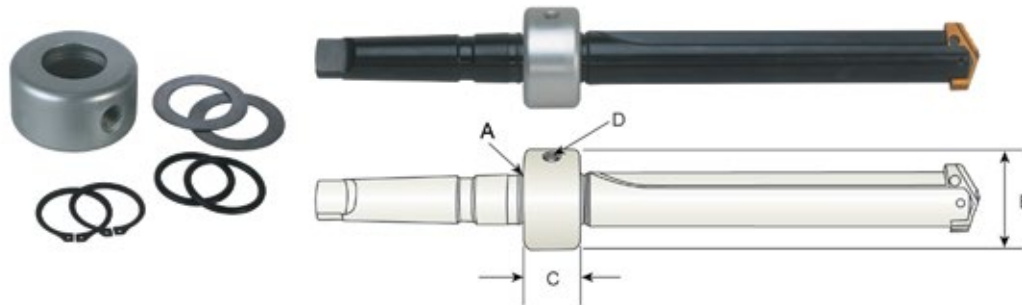
Spade Drill Inserts

High Speed Steel (M4) – TiN Coated & TiAlN Coated (continued)



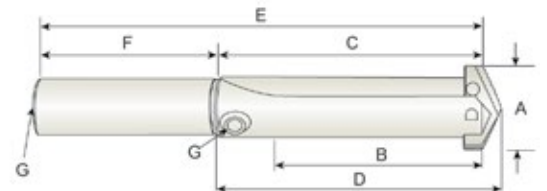
Series Min. to Max.	Thickness	Diameter	Decimal Equivalent (Inch)	HSS (M4) TiN Coated	HSS (M4) TiAlN Coated
				Code	Code
7 3.455" to 4.000" 87.76 mm to 101.60 mm	7/16" 11.1 mm	3-9/16"	3.5625	548123	TiAlN Available Upon Request
		3-5/8"	3.6250	548124	
		3-3/4"	3.7500	548125	
		3-7/8"	3.8750	548126	TiAlN Available Upon Request
		3-15/16"	3.9375	548127	
		4"	4.0000	548128	
8 4.001" to 4.507" 101.63 mm to 114.48 mm	7/16" 11.1 mm	4-1/16"	4.0625	548129	TiAlN Available Upon Request
		4-1/8"	4.1250	548130	
		4-1/4"	4.2500	548131	
		4-3/8"	4.3750	548132	
		4-1/2"	4.5000	548133	

Rotary Coolant Inducers (RCI) & Accessories



A Inside Diameter (Inch)	B Outside Diameter (Inch)	C Height (Inch)	D Coolant Hole Thread Size (NPT)	Thread for Driving Rod	Code
3/4	1-3/4	7/8	1/8	5/16-18 - NC	549625
1	2-1/8	1-1/8	1/8	5/16-18 - NC	549626
1-1/4	2-1/2	1-3/8	1/4	3/8-16 - NC	549627
1-3/4	3	1-3/8	1/4	3/8-16 - NC	549628
2-1/4	3-3/4	1-3/4	1/2	1/2-13 - NC	549629

Short Length – Straight Shank – Straight Flute



Series	Shank Diameter (Inch)	A Drill Insert Range (Inch)	B Maximum Drill Depth (Inch)	C Flute Length (Inch)	D Reference Length (Inch)	E Overall Length (Inch)	F Shank Length (Inch)	G Coolant Hole Thread Size (NPT)	Code
Y	3/4	3/8 – 27/64	1-1/4	2-1/32	2-1/8	4-13/32	2-3/8	1/8	549580
Z	3/4	7/16 – 1/2	1-1/4	2-1/32	2-1/8	4-13/32	2-3/8	1/8	549581
0	3/4	33/64 – 11/16	1-3/8	2-3/16	2-19/64	4-9/16	2-3/8	1/8	549564
0.5	3/4	39/64 – 11/16	1-3/8	2-3/16	2-19/64	4-9/16	2-3/8	1/8	549565
1	3/4	45/64 – 15/16	2-5/8	3-7/8	4-1/64	6-7/8	3	1/8	549566
1	1	45/64 – 15/16	2-5/8	3-7/8	4-1/64	6-7/8	3	1/8	549567