

Electronic Indicators

Precision



- Meets ASME B89.1.10M-2001 standards
- Accuracy: $\pm 0.0015''$
- Hysteresis: 0.0005"
- 320 degree rotating display – digital/analog
- Stem diameter: 3/8"
- Button function: tolerance GO and NOGO display, data preset, measuring direction change, max/min/TIR measurement, inch/metric conversion, absolute/incremental measurement
- Keeps preset data and tolerance data in memory after restart
- Battery CR2032 – auto power off
- Data output
- Lug back
- Contact point thread #4-48UNF
- Supplied in fitted storage case

OPTIONAL ACCESSORIES:

- SPC cable
- Contact points
- Flat back



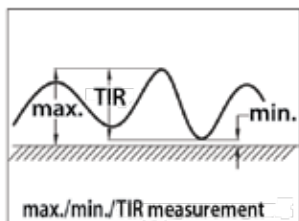
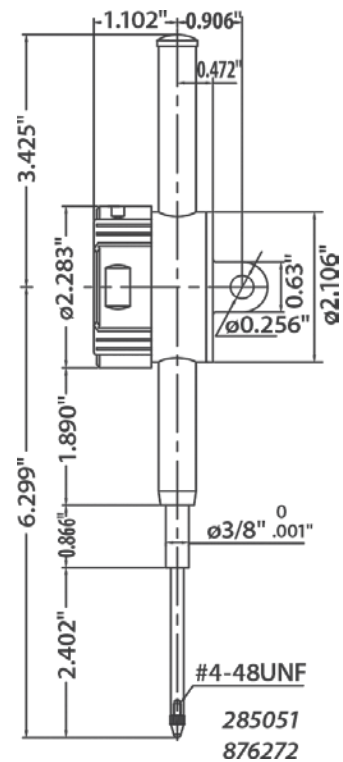
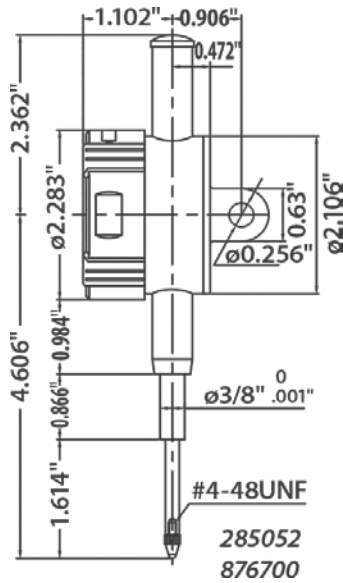
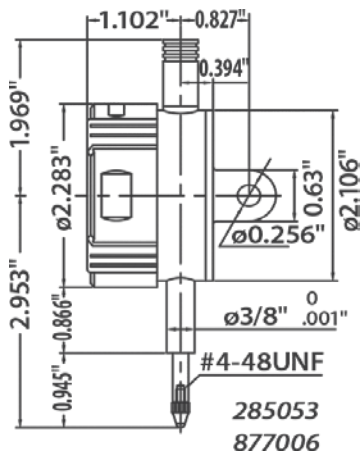
285053



876700



285051



Resolution: 0.00005"/0.001mm

Range (Inch/mm)	INSIZE No.	Code
0.5/12.7	2103-10E	285053
1/25.4	2103-25E	285052
2/50.8	2103-50E	285051

Resolution: 0.0005"/0.01mm

Range (Inch/mm)	INSIZE No.	Code
0.5/12.7	2104-10E	877006
1/25.4	2104-25E	876700
2/50.8	2104-50E	876272