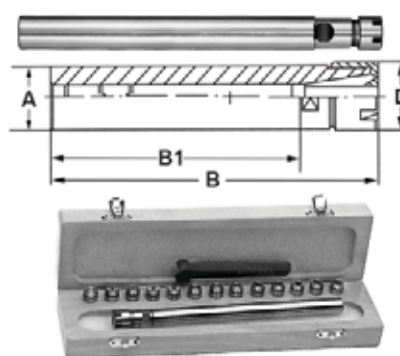
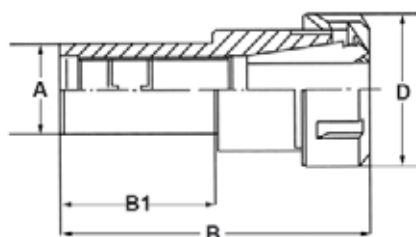


ER Collet Chucks and Sets

Straight Shank



Sets include: wrench, chuck and collets (inch) and supplied in a fitted storage case

ER16

Chucks Only

A (Inch)	B (Inch)	B1 (Inch)	D Diameter (Inch)	Nut Style	Code	A (Inch)	B (Inch)	B1 (Inch)	D Diameter (Inch)	Nut Style	Code
3/8	2-3/4	1-3/4	0.87	Mini	356900	1-1/4	3-1/4	2-1/4	1.10	Hex	356908
1/2	6-1/2	6	0.87	Mini	356901	5/8	6-1/4	5-1/2	1.10	Hex	356903
5/8	4	3	1.10	Hex	356902	3/4	6-1/2	5-1/4	0.87	Mini	356906
3/4	3	2	1.10	Hex	356904	1	6-1/4	5-1/2	1.10	Hex	356907
3/4	5	4	1.10	Hex	356905						

Collet Sets

A (Inch)	B (Inch)	B1 (Inch)	D Diameter (Inch)	Nut Style	Code	A (Inch)	B (Inch)	B1 (Inch)	D Diameter (Inch)	Nut Style	Code
3/8	2-3/4	1-3/4	0.87	Mini	356944	1-1/4	3-1/4	2-1/4	1.10	Hex	356945
1/2	6-1/2	6	0.87	Mini	356910	5/8	6-1/4	5-1/2	1.10	Hex	356912
5/8	4	3	1.10	Hex	356911	3/4	6-1/2	5-1/4	0.87	Mini	356915
3/4	3	2	1.10	Hex	356913	1	6-1/4	5-1/2	1.10	Hex	356916
3/4	5	4	1.10	Hex	356914						

ER20

Chucks Only

A (Inch)	B (Inch)	B1 (Inch)	D Diameter (Inch)	Nut Style	Code	A (Inch)	B (Inch)	B1 (Inch)	D Diameter (Inch)	Nut Style	Code
5/8	5-1/2	4	1.10	Mini	356925	1	6-1/4	5-1/4	1.10	Mini	356926
3/4	5-1/2	4	1.10	Mini	356934						

Collet Sets

A (Inch)	B (Inch)	B1 (Inch)	D Diameter (Inch)	Nut Style	Code	A (Inch)	B (Inch)	B1 (Inch)	D Diameter (Inch)	Nut Style	Code
5/8	5-1/2	4	1.10	Mini	356921	1	6-1/4	5-1/4	1.10	Mini	356928
3/4	5-1/2	4	1.10	Mini	356938						