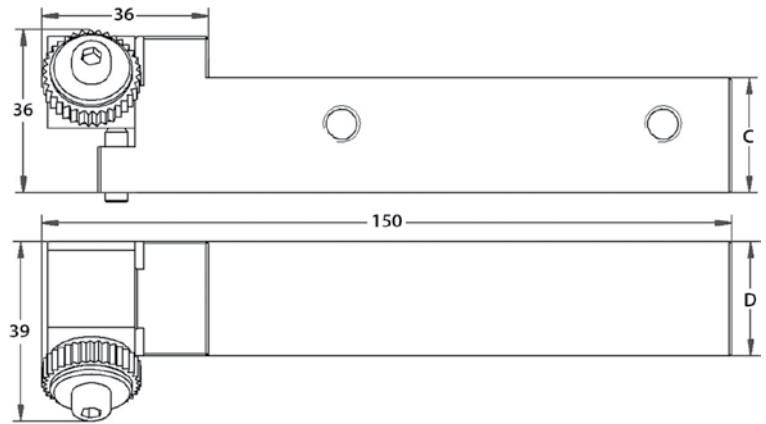


Knurling Tools

Form Knurling & Cut Knurling (continued)

Model MFS21 – Cut Knurling



- Recommended for RAA type knurling
- Pivoting head for knurl alignment
- Tool with reversible head able to fit on left hand or right hand lathes
- High speed steel TiN coated bushing
- Adjustment of tool clearance angle by threaded studs integrated in the shank

Model	Version	Capacity (mm)	Knurl Size (mm)	C (mm)	D (mm)	Weight (kg)	Spare Bushing/Washer Code	Code
MFS21.55.20	R+L	Ø4÷250	21.5 x 5 x 8	20	25	0.8	175490	180185
MFS21.55.25	R+L	Ø4÷250	21.5 x 5 x 8	25	25	0.8	175490	180187

Cut Knurls – Type AA and BR30° for Models MFS14 & MFS21

- Knurls according to DIN403 for knurlings as DIN82
- HRC 61±1 standard
- High speed steel
- Ground faces and central bore
- Knurls sold individually

Pitch (mm)	Ø 14.5 BR30°	Ø 14.5 AA	Ø 21.5 BR30°	Ø 21.5 AA
	Code	Code	Code	Code
0.3	-	-	175433	-
0.4	175295	175304	175434	175404
0.5	175296	175305	175435	175405
0.6	175297	175306	175436	175406
0.8	175298	175308	175438	175408
1.0	175299	175310	175440	175410
1.2	175300	175312	175442	175412
1.5	-	-	175445	175415
1.6	-	-	175446	175416
2.0	-	-	175450	175420

Spare Bushing, Washer & Screw Sets for Cut Knurling Cutters



For Cutter Diameter...	Code
14.5	175390
21.5	175490